



PNEUMATIC ACTUATOR ACCESSORIES

GENERAL FEATURES

NAMUR VALVE

The function of a Namur solenoid valve is to control the flow of media (mostly air). The valve itself is controlled by a solenoid that opens or closes the valve by controlling the air flow to a pneumatic actuator via a pilot. The pneumatic actuator converts compressed air into motion. The solenoid and actuator work together to control the flow rate, flow rate, and flow direction. Similarly, the valve is operated in a normally closed or normally open position.

- Namur Type Direct Actuator Mounting Feature
- Namur Type Directional Valve: Supply 220V-24V/DC
- Metal Lockable Manual Control Screw

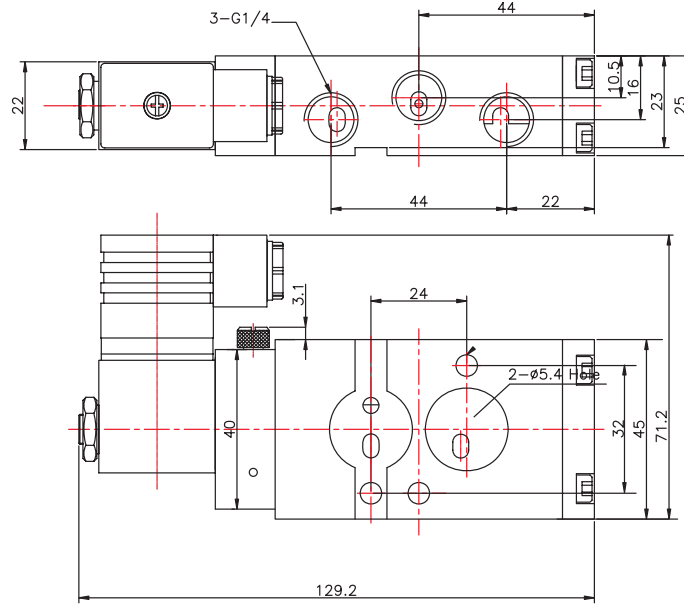
LIMIT SWITCH

A limit switch is a device that indicates the open or closed position of a valve and provides a position confirmation signal. Limit switches often send signals to computers, usually located remotely and not near the valve, known as PLCs or DCSs. A limit switch has a position indicator at the top that shows whether the valve is open or closed. This allows operators in the facility to visually see whether the valve is open or closed while they are near it.

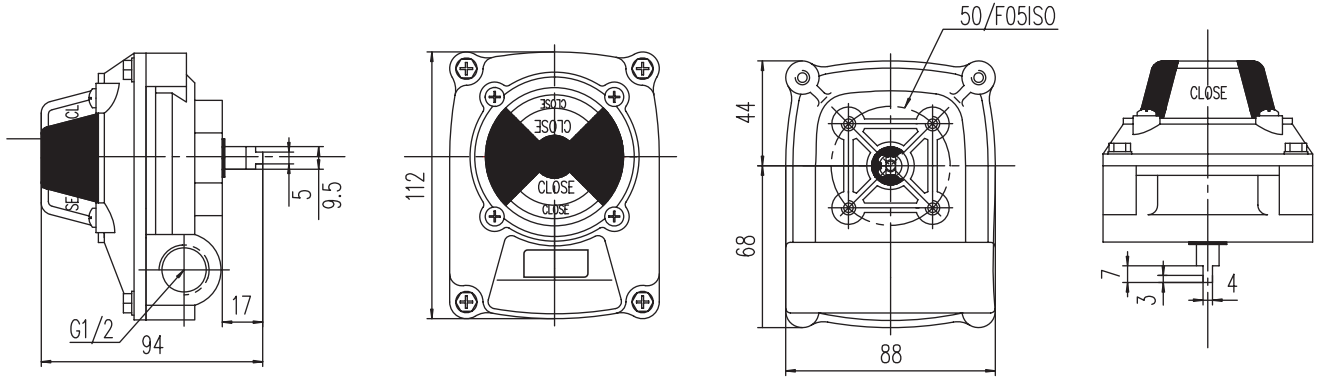
- 3D On/Off continuous visual position indicator
- Standard IP67 high protection class
- 2 mechanical switches or inductive switches
- Easily adjustable and suitable for all types of Namur standard actuators
- Direct valve connection system allowing for a single cable run for the switch box and directional valve
- Operating Temperature -20°C , $+80^{\circ}\text{C}$
- Position Indicator: $0-90^{\circ}$ On-Off

PNEUMATIC ACTUATOR ACCESSORIES

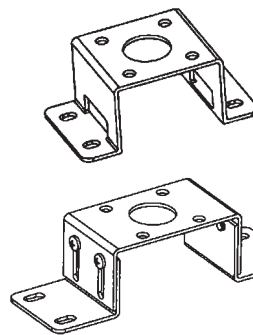
NAMUR VALVE TECHNICAL DRAWING



LIMIT SWITCH TECHNICAL DRAWING



PART LIST	
PART	MATERIAL
Body	Epoxy Coated Aluminum Injection
Indicator	Transparent Plastic
Bolt	AISI316 Stainless steel
Shaft	AISI316 Stainless steel
Gasket	EPDM



Connection Dimensions

30x80
H: 20

Connection Dimensions

30x80 - 30x130
H: 20-50
Adjustable

Measurements are in millimeters (mm).



HEAD OFFICE - FACTORY

Atatürk Sanayi Bölgesi Hadımköy Mahallesi Mustafa İnan Caddesi No: 44 Arnavutköy - İSTANBUL
Tel: +90 444 21 50 (pbx) | Fax: +90 212 771 47 27
info@ayvaz.com | www.ayvaz.com