



## PRESSURE RELIEF CONTROL VALVE

### GENERAL FEATURES

In systems with sudden pressure increase, it reliably discharges the high pressure wave to ensure safe operation of the system. Due to any reason, the pressure regulating pressure is increased and the valve is opened by opening the valve the press releases. This allows the system to work longer and be healthy. It is used at the critical points of the systems.

#### Valve Selection:

$$D = \sqrt{\frac{250 \times Q}{\sqrt{Hm}}}$$

**D:** Pressure Relief Control Valve (mm)  
**Q:** System Flow (m<sup>3</sup>/h)  
**Hm:** System Operating Pressure (mSS)

### TECHNICAL SPECIFICATIONS

- Working with line pressure and not need extra energy
- Easy maintenance
- Protecting the line from excessive pressure
- Easy and sensitive adjustment with desired pressure

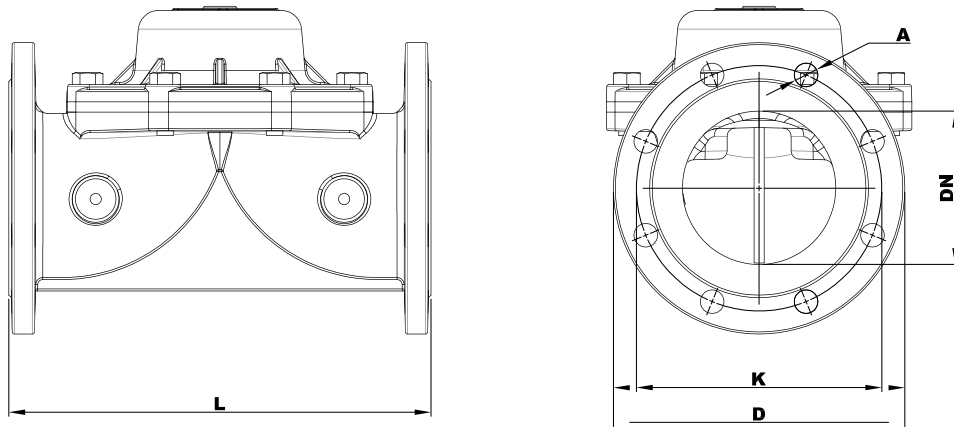
#### Adjustment:

After the water is supplied to the system, if the value displayed on the manometer is below the desired pressure, turn the adjustment bolt clockwise to increase the input pressure. If the value indicated by the manometer is above the desired pressure value, the adjustment bolt is turned counterclockwise and adjusted to the desired pressure. After this, tighten the lock nut which is located under the setting bolt and fix the adjusting bolt.

#### PRODUCT FEATURES

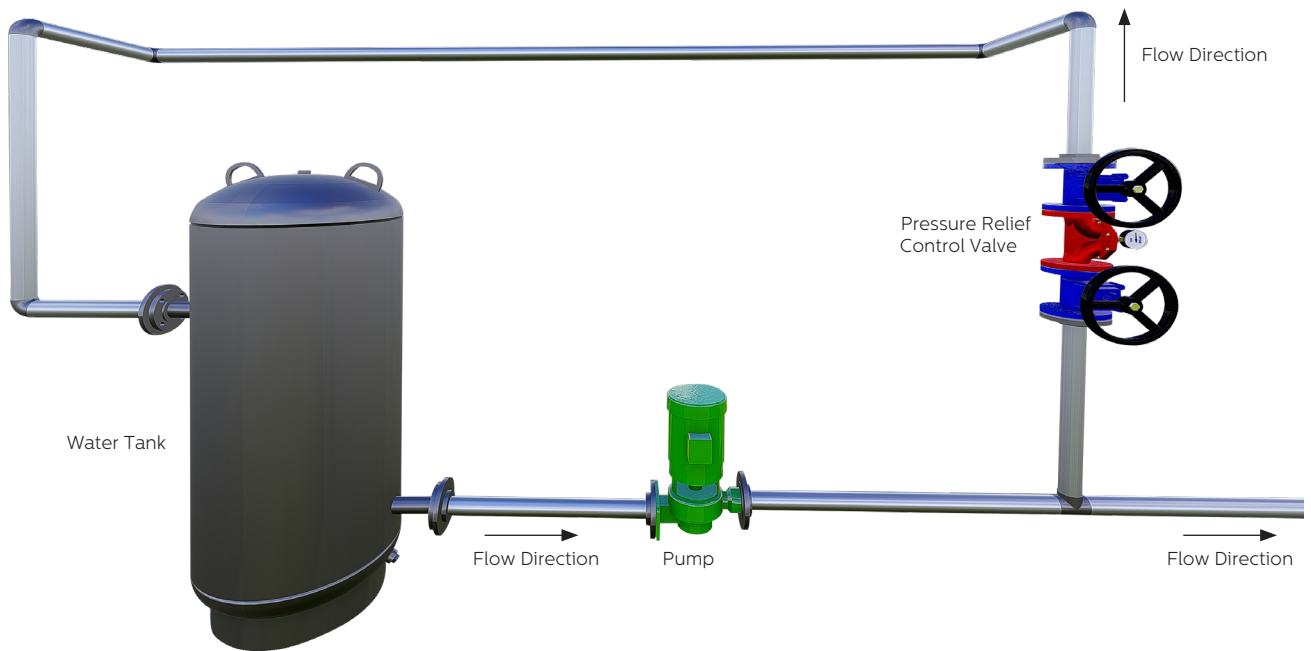
PRODUCT FEATURES	
Body	GG-25 Cast Iron
Diaphragm	Cord Scrim Reinforced Natural Rubber
Bonner	GG-25 Cast Iron
Diaphragm Print Ring	Polyamide
Spring	SST 302
Max. Working Pressure (bar)	16
Max. Working Temperature (°C)	80
Connection Type	Flanged

# PRESSURE RELIEF CONTROL VALVE



DIMENSIONS (mm)					
DN	L	D	K	A	Number of Holes
40	165	150	110	19	4
50	205	165	125	19	4
65	205	185	145	19	4
80	290	200	160	19	8
100	300	220	180	19	8
125	330	250	210	19	8
150	415	285	240	23	8
200	475	340	295	23	12
250	475	405	355	28	12
300	525	460	410	28	12

## 3D APPLICATION SAMPLE



### HEAD OFFICE - FACTORY

Atatürk Sanayi Bölgesi Hadımköy Mahallesi Mustafa İnan Caddesi No: 44 Arnavutköy - İSTANBUL  
 Tel: +90 212 771 01 45 (pbx) | Fax: +90 212 771 47 27  
 info@ayvaz.com | www.ayvaz.com

**Cona**  
**Caserta/Italy**  
 Tel: +39 0823 187 3988  
 rmolaro@ayvaz.com

**Ayvaz Germany**  
**Viernheim/Germany**  
 Tel: +49 62046014399  
 germany@ayvaz.com

**Ayvaz Ukraine**  
**Kiev/Ukraine**  
 Tel: +380 44 390 57 57  
 info@ayvaz.com.ua

**Tricorr**  
**Warsaw/Poland**  
 Tel: +48 530 030 810  
 +48 533 603 335  
 tricorr@tricorr.eu

**Ayvaz Azerbaijan**  
**Baku/Azerbaijan**  
 Tel: +99 (455) 579-84-32  
 ahayatov@ayvaz.com

**Ayvaz Egypt**  
**Cairo/Egypt**  
 Tel: +20 122 819 78 29  
 andrew.eid@ayvaz.com

**Ayvaz Gulf**  
**Dubai/U.A.E**  
 Tel: +971 563550822  
 +971 501306871  
 mideast@ayvaz.com

**Ayvaz China**  
**Ningbo/China**  
 Tel: +86 152 5830 7361  
 msahin@ayvaz.com

**Ayvaz Kazakhstan LLP**  
**Almaty/Kazakhstan**  
 Tel: +7 (727) 327 97 57  
 info\_kz@ayvaz.com

**Ayvaz N**  
**Iserih/Bulgaria**  
 Tel: +359 8431 27 32  
 office@ayvaz-n.eu

**Ayvaz Serbia**  
**Belgrade/Serbia**  
 Tel: +381 61 658 70 52  
 yakbiyik@ayvaz.com

**Ayvaz Vietnam**  
**HCMC/Vietnam**  
 ggursoy@ayvaz.com  
 Tel: +84 89 8508345

**Ayvaz Americas**  
**Rhode Island/USA**  
 Tel: +1 401 737 8380  
 americas@ayvaz.com