

SUPERVISORY SWITCHES

OS&Y Supervisory Switch / Model OSY2



The AYVAZ OSY2 is used to monitor the open position of an Outside Screw and Yoke (OS&Y) type gate valve.

Features

- NEMA 3R-rated enclosure
- User-friendly mounting bracket fits newer valve yokes
- Single side conduit entry does not require right angle fittings
- Adjustable length actuator eliminates the need for cutting the shaft
- Accommodates up to 12 AWG wire
- Three position switch monitors vandal and valve close signals
- Two SPDT contacts are enclosed in a durable terminal block for added strength
- 100 percent synchronization activates both alarm panel and local bell simultaneously

Specifications

Maximum Operating Pressure : 300 psi

Maximum Adjustment

Pressure Range : 4 to 20 psi

Differentially : Approximately 3 psi throughout range)

Factory Setting : Operates at rising pressure 4 to 8 psi

Switch Contact Ratings : EPS10-1: One set SPDT (Form C)

EPS10-2: Two sets SPDT (Form C) 1 0.0 A,

½ H P @ 125/250 VAC

2.5 A @ 6/12/24 VDC

Pressure Connection : ½" NPT male glass reinforced nylon

Operating Temperature Range : Indoor or outdoor use: -40°F to 160°F (-40°C to 71°C)

Cover Tamper Switch : UL Models: Optional P/N 546-8000 ULC Models: Factory Installed

Enclosure : Rated UL 4x, NEMA 4 for indoor or outdoor use

Shipping Weight : 1.2 lbs. (.54 kg)

Service Use

: Automatic Sprinkler: NFPA 13 One or Two Family

Dwelling: NFPA 13D Residential Occupancies up to 4 Stories:

NFPA 13R National Fire Alarm Code: NFPA 72

Warranty

: 3 years

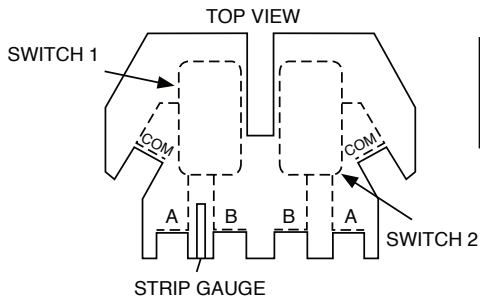
Dimensions : 5.12" H × 3.325" W × 4.250" L

(13.0 cm × 8.4 cm × 10.8 cm)



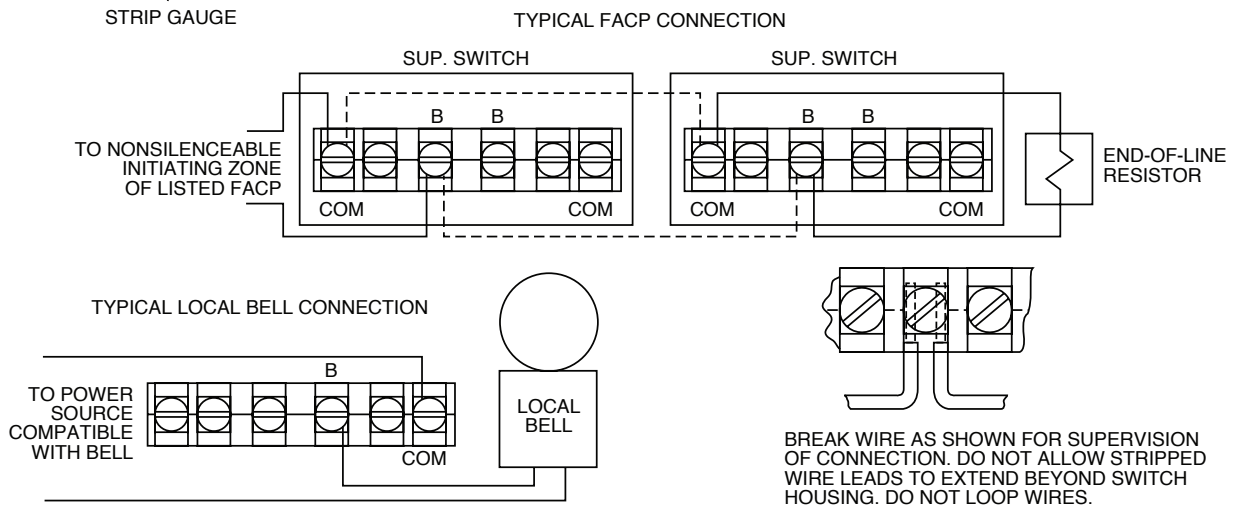
SUPERVISORY SWITCHES

Electrical Connections for OSY2



CONTACT RATINGS	
125/250 VAC	10 AMPS
24 VDC	2.5 AMPS

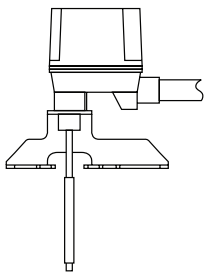
NOTE: COMMON AND B CONNECTIONS WILL CLOSE WHEN VALVE MOVES 1/5 OF ITS TOTAL TRAVEL DISTANCE.



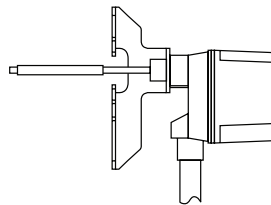
BREAK WIRE AS SHOWN FOR SUPERVISION OF CONNECTION. DO NOT ALLOW STRIPPED WIRE LEADS TO EXTEND BEYOND SWITCH HOUSING. DO NOT LOOP WIRES.

OSY2 Mounting

The following are examples of acceptable mounting positions:

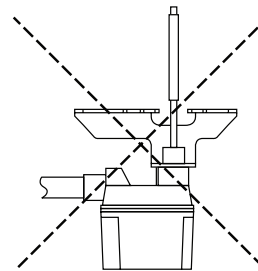


Actuator Vertical (Down)



Actuator Horizontal

The following mounting position is **not acceptable**:



Actuator Vertical (Pointing Up)