



WATER HAMMER PREVENTION VALVE

GENERAL FEATURES

Energy cut-offs in the pump systems and the consequence of the pumps' activate and deactivate, allow the system to be protected by evacuating pressure fluctuations due to variations in water velocity. During power cuts, the valve opens quickly and drains the negative pressure wave that returns. When the negative pressure wave returns to normal, the valve slowly closes itself.

TECHNICAL SPECIFICATIONS

- Working with line pressure and no need extra energy
- Easy maintenance
- Protecting the line from excessive pressure
- Fast detection at high and low pressure
- Replacement of balance tanks

Adjustment

Give the solenoid coil energy over the main valve through the board. On the main valve, the mini ball valve on the exit from 2 mini ball valves is closed. When the pilot valve adjustment bolt is turned clockwise, the adjustment pressure is reduced. When the desired pressure value is found, the lock nut under the adjusting bolt is tightened and the mini ball valve at the outlet is opened.

Valve Selection

$$D = \sqrt{\frac{250 \times Q}{\sqrt{Hm}}}$$

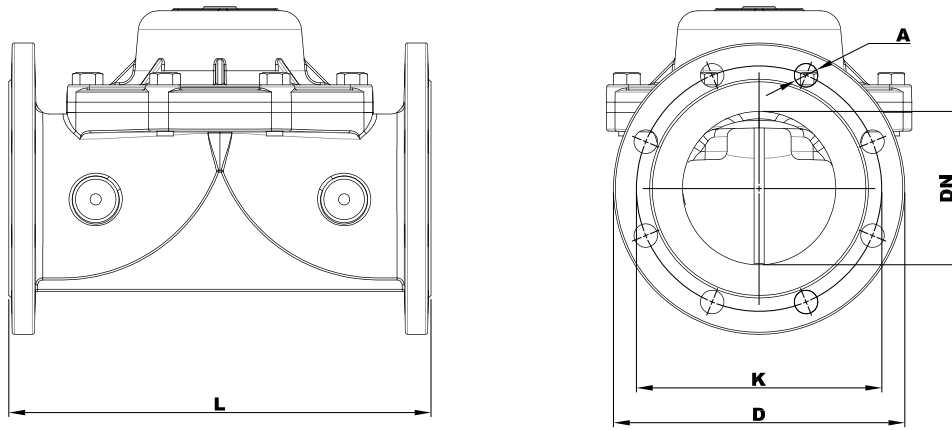
D: Pressure Relief Control Valve (mm)

Q: System Flow (m³/h)

Hm: System Operating Pressure (mSS)

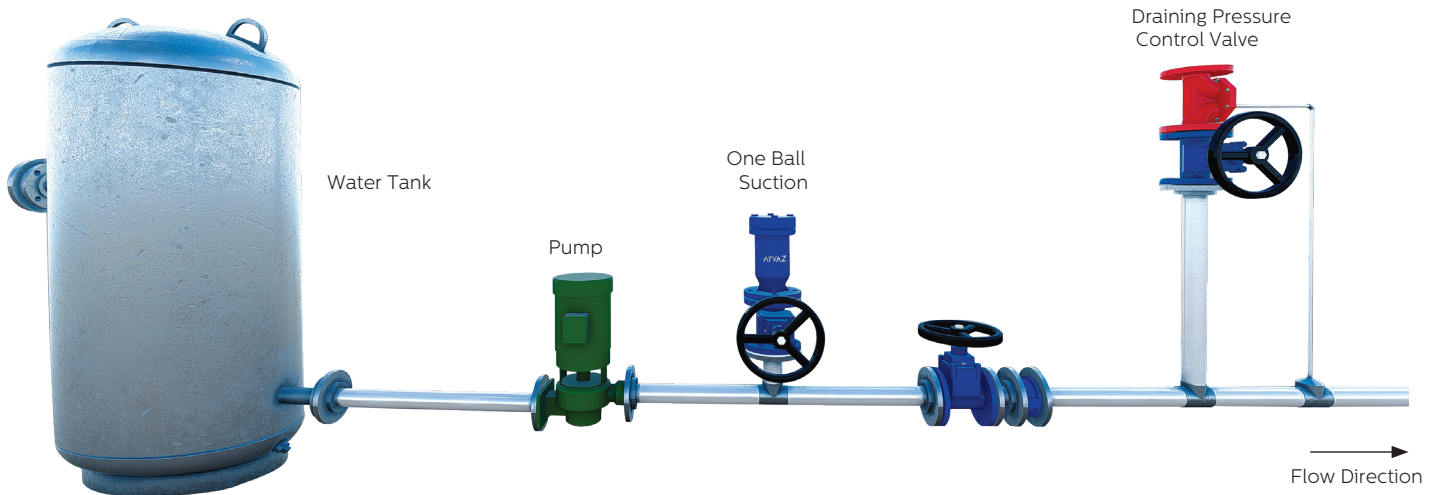
PRODUCT SPECIFICATIONS	
Body	GG-25 Cast Iron
Diaphragm	Cord Scrim Reinforced Natural Rubber
Cover	GG-25 Cast Iron
Diaphragm Pressure Ring	Polyamide
Spring	SST 302
Max. Working Pressure (bar)	16
Max. Working Temperature (°C)	80
Connection Type	Flanged

WATER HAMMER PREVENTION VALVE



DIMENSIONS (mm)						
DN	L	D	K	A	Holes	
50	205	165	125	19	4	
65	205	185	145	19	4	
80	290	200	160	19	8	
100	300	220	180	19	8	
125	330	250	210	19	8	
150	415	285	240	23	8	
200	475	340	295	23	12	
250	475	405	355	28	12	
300	525	460	410	28	12	

3D APPLICATION SAMPLE



HEAD OFFICE - FACTORY

Atatürk Sanayi Bölgesi Hadımköy Mahallesi Mustafa İnan Caddesi No: 44 Arnavutköy - İSTANBUL
 Tel: +90 212 771 01 45 (pbx) | Fax: +90 212 771 47 27
 info@ayvaz.com | www.ayvaz.com

Cona
Caserta/Italy
 Tel: +39 0823 187 3988
 rmolaro@ayvaz.com

Ayvaz Germany
Viernheim/Germany
 Tel: +49 62046014399
 germany@ayvaz.com

Ayvaz Ukraine
Kiev/Ukraine
 Tel: +380 44 390 57 57
 info@ayvaz.com.ua

Tricorr
Warsaw/Poland
 Tel: +48 530 030 810
 +48 533 603 335
 tricorr@tricorr.eu

Ayvaz Azerbaijan
Baku/Azerbaijan
 Tel: +99 (455) 579-84-32
 ahayatov@ayvaz.com

Ayvaz Egypt
Cairo/Egypt
 Tel: +20 122 819 78 29
 andrew.eid@ayvaz.com

Ayvaz Gulf
Dubai/U.A.E
 Tel: +971 563550822
 +971 501306871
 mideast@ayvaz.com

Ayvaz China
Ningbo/China
 Tel: +86 152 5830 7361
 msahin@ayvaz.com

Ayvaz Kazakhstan LLP
Almaty/Kazakhstan
 Tel: +7 (727) 327 97 57
 info_kz@ayvaz.com

Ayvaz N
İsperih/Bulgaria
 Tel: +359 8431 27 32
 office@ayvaz-n.eu

Ayvaz Serbia
Belgrade/Serbia
 Tel: +381 61 658 70 52
 yakbiyik@ayvaz.com

Ayvaz Vietnam
HCMC/Vietnam
 ggursoy@ayvaz.com
 Tel: +84 89 8508345

Ayvaz Americas
Rhode Island/USA
 Tel: +1 401 737 8380
 americas@ayvaz.com