



# SV-254

## BRASS SAFETY VALVE

### GENERAL FEATURES

The AYVAZ SV-254 brass safety valve is used in non-critical applications for air, steam and water. They are 3/8" - 3" in size and threaded connection.

#### Usage areas:

- Steam (PTFE Gasket)
- Water and non aggressive liquids
- Non-hazardous Gases

#### Note:

If the valve is separated, changed or opened, the manufacturer and the vendor shall not accept any responsibility for any faults that may occur.

#### Installation:

- 1- Storage and transportation and installation should be done with care.
- 2- The valve should be protected from foreign substances and dust until the installation time.
- 3- The valve shaft should be mounted so that it is vertical.
- 4- No valve should be placed between safety valve and pressure vessel.
- 5- The safety valve must have an easily accessible area where installed.

6- Safety valve outlet pipe should be opened at the shortest path to the atmosphere.

7- The relief valve should be inclined in the direction of the outlet pipe.

8- If the safety valve is uplifted, then one of the options should be to design drainage, pot (diameter of inner pipe), diameter enlargement in order to get water that may occur at the elbow part.

9- Separate outlet line for each safety valve. If it is going to enter the exhaust pipe; the distance between the safety valve output and the exhaust must be at least 4 meters.

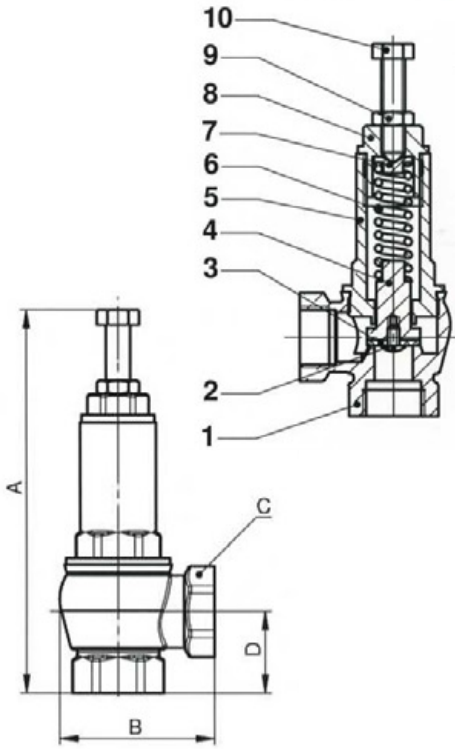
Dimensions (mm)				
Çap	A	B	C	D
1/2"	127	51	27	27
3/4"	153	58	33.5	30
1"	155	70,5	40	36

Material	
Body	Brass - Bronze
Valve	Teflon - metal
Connection	
ISO 228 / 1 threaded	

Dimension	Weight(kg)
1/2"	0,400
3/4"	0.600
1"	0.870

Working Conditions	
Max. Working Pressure	12 bar
Working Pressure Setting Range	0- 12 bar
Working Temp.	Metal Blocker 0- 200 C
Working Temp.	Teflon Blocker 0- 180 C

# SV-254 BRASS SAFETY VALVE



MATERIAL		
1	Body	Brass
2	Screw	CW 614/617
3	Gasket	Metal-PTFE
4	Washer	CW 614/617
5	Intermidate Body	CW 614/617
6	Spring	C72 / AISI 302
7	Spring Stem	CW 614/617 CC 75 4S
8	Cover	CW6 14/617
9	Fixing Nut	CW614/617
10	Adj. Screw	CW6 14/617

WATER DISCHARGE CAPACITY									
Dia.	3/8	1/2	3/4	1	1 ¼	1 ½	2	2 ½	3
P (bar)	m <sup>3</sup> /h								
1	0,6	1	2	3,7	5,4	8,2	13	26,1	33,9
2	0,7	1,2	2,5	4,6	6,7	10	15,9	32	41,6
3	0,8	1,4	2,9	5,3	7,7	11,5	18,4	37	48
4	0,9	1,5	3,2	5,9	8,6	12,9	20,6	41,3	53,7
5	1	1,7	3,5	6,5	9,4	14,1	22,6	45,3	58,8
6	1,1	1,8	3,8	7,0	10,2	15,3	24,4	48,9	63,5
7	1,2	1,9	4,1	7,5	10,9	16,3	26	52,3	67,9
8	1,2	2	4,3	7,9	11,5	17,3	27,6	55,4	72,0
9	1,3	2,1	4,6	8,3	12,1	18,2	29,1	58,4	75,9
10	1,4	2,2	4,8	8,8	12,7	19,1	30,5	61,3	79,6
11	1,4	2,3	5,0	9,1	13,3	20	31,9	64,0	83,2
12	1,5	2,4	5,2	9,5	13,8	20,8	33,2	66,6	86,6

STEAM DISCHARGE CAPACITY									
Dia.	3/8	1/2	3/4	1	1 ¼	1 ½	2	2 ½	3
P (bar)	Kg/h								
1	7,6	12,3	26,2	47,9	69,8	104,9	167,4	335,9	436,2
2	11,2	18,2	38,8	71	103,3	155,3	247,8	497,2	645,8
3	14,8	24,1	51,2	93,8	136,5	205,3	327,5	657,1	853,5
4	18,4	29,9	63,6	116,4	169,5	254,9	406,6	815,9	1059,8
5	22	35,7	75,9	139	202,3	304,2	485,3	973,9	1264,9
6	25,6	41,5	88,2	161,5	235	353,4	563,8	1131,4	1469,6
7	29,1	47,2	100,5	183,9	267,6	402,5	642,1	1288,5	1673,6
8	32,6	52,9	112,7	206,2	300,2	451,4	720,1	1445,1	1877
9	36,2	58,7	124,9	228,6	332,7	500,4	798,2	1601,8	2080,5
10	39,7	64,4	137	250,8	365,1	549,1	876	1757,8	2283,2
11	43,2	70,1	149,2	273,1	397,6	598	953,9	1914,1	2486,3
12	46,8	75,8	161,4	295,4	430	646,7	1031,6	2070,1	2688,8



## HEAD OFFICE - FACTORY

Atatürk Sanayi Bölgesi Hadımköy Mahallesi Mustafa İnan Caddesi No: 44 Arnavutköy - İSTANBUL  
 Tel: +90 212 771 01 45 (pbx) | Fax: +90 212 771 47 27  
 info@ayvaz.com | www.ayvaz.com

**Cona**  
**Caserta/Italy**  
 Tel: +39 0823 187 3988  
 rmlaro@ayvaz.com

**Ayvaz Germany**  
**Viernheim/Germany**  
 Tel: +49 62046014399  
 germany@ayvaz.com

**Ayvaz Ukraine**  
**Kiev/Ukraine**  
 Tel: +380 44 390 57 57  
 info@ayvaz.com.ua

**Tricorr**  
**Warsaw/Poland**  
 Tel: +48 530 030 810  
 +48 533 603 335  
 tricorr@tricorr.eu

**Ayvaz Azerbaijan**  
**Baku/Azerbaijan**  
 Tel: +99 (455) 579-84-32  
 ahayatov@ayvaz.com

**Ayvaz Egypt**  
**Cairo/Egypt**  
 Tel: +20 122 819 78 29  
 andrew.eid@ayvaz.com

**Ayvaz Gulf**  
**Dubai/U.A.E**  
 Tel: +971 563550822  
 +971 501306871  
 mideast@ayvaz.com

**Ayvaz China**  
**Ningbo/China**  
 Tel: +86 152 5830 7361  
 msahin@ayvaz.com

**Ayvaz Kazakhstan LLP**  
**Almaty/Kazakhstan**  
 Tel: +7 (727) 327 97 57  
 info\_kz@ayvaz.com

**Ayvaz N**  
**İsperih/Bulgaria**  
 Tel: +359 843127 32  
 office@ayvaz-n.eu

**Ayvaz Serbia**  
**Belgrade/Serbia**  
 Tel: +381 61 658 70 52  
 yakbiyik@ayvaz.com

**Ayvaz Vietnam**  
**HCMC/Vietnam**  
 ggursoy@ayvaz.com  
 Tel: +84 89 8508345

**Ayvaz Americas**  
**Rhode Island/USA**  
 Tel: +1 401 737 8380  
 americas@ayvaz.com