

SA-61

LIQUID DRAINER

GENERAL FEATURES

The SA-61 allows the discharge of liquids from the gas and air lines. Fluid drain happens with a float and the associated lever arm. The air or other gases in the device start to fill up in the liquid drainer body. The air and gases on the float allow the orifice to be closed by applying a downward force. The air and gases in the body cool down after a while and consequently start to condense. The resulting water implements a force in the upward direction to allow the float to open also the lever and its associated ball orifice. Thus, the water is discharged. When the air come again to it close the orifice. Sealing against air is ensured. This cycle continues automatically.

Connection:

Threaded and flanged

BODY MATERIAL
AISI 316 Stainless Steel

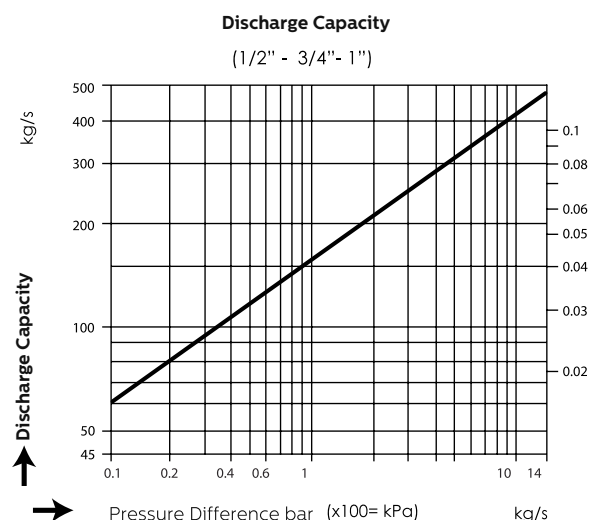
Connection Type:
Horizontal and vertical

Nominal Diameter:
DN15 (1/2") - DN25 (1")

Pressure:
Max 25 bar

Working Temperature:
Max. 250 °C

- Application:**
- Compressors
 - Heat exchangers
 - Heating coils
 - Air tanks
 - Air separators
 - Air pockets
 - Air collectors
 - Drying rollers



SA-61 LIQUID DRAINER

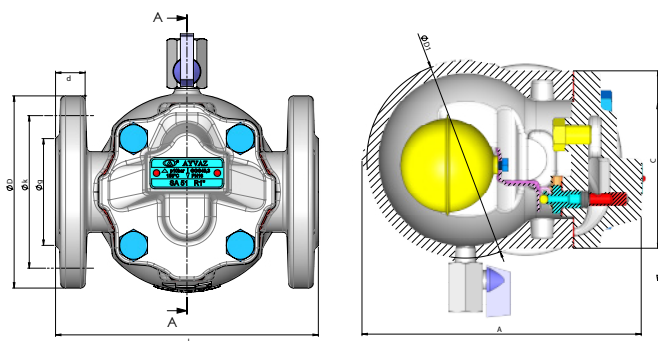
Installation

The SA-51 can be installed horizontally and vertically. The pipeline must be sloped to maintain fluid flow. If there is a large amount of condensate (especially in air tanks) it can lock because the inside of the body will fill with a lot of fluid and will float above the float. As a result, a by-pass line must be made before the air line enters the liquid drainers. By-pass line must be done over the liquid drainers' body for horizontal installation.

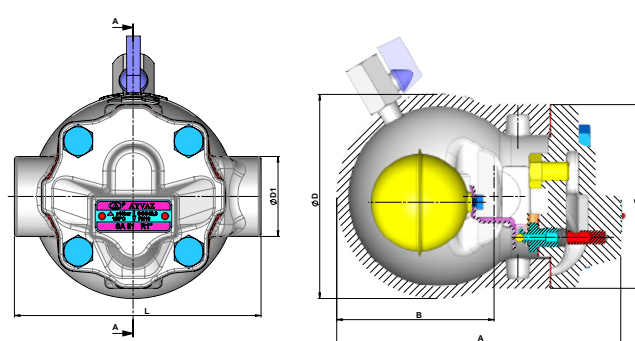
Δp Max. Maximum differential pressure due to the density of the liquid

DENSITY	1	0,9	0,8	0,7	min 0,6
Δp Max. Pressure Difference	14	14	14	9	5
Δp Min. Pressure Difference	0,1 bar				

FLANGED



THREADED



DIAMETER											
Dia.	Flanged (mm)										
	ØD	Øk	Øg	b	Holes' Dia. and number	A	B	C	ØD1	L	Weight (kg)
DN 15	95	65	46	14	Ø14x4	152,5	81,5	105	98	150	4,6
DN 20	105	75	56	16	Ø14x4	152,5	81,5	105	98	150	5,1
DN 25	117	85	65	17	Ø14x4	170	99,5	108	120	160	6,6

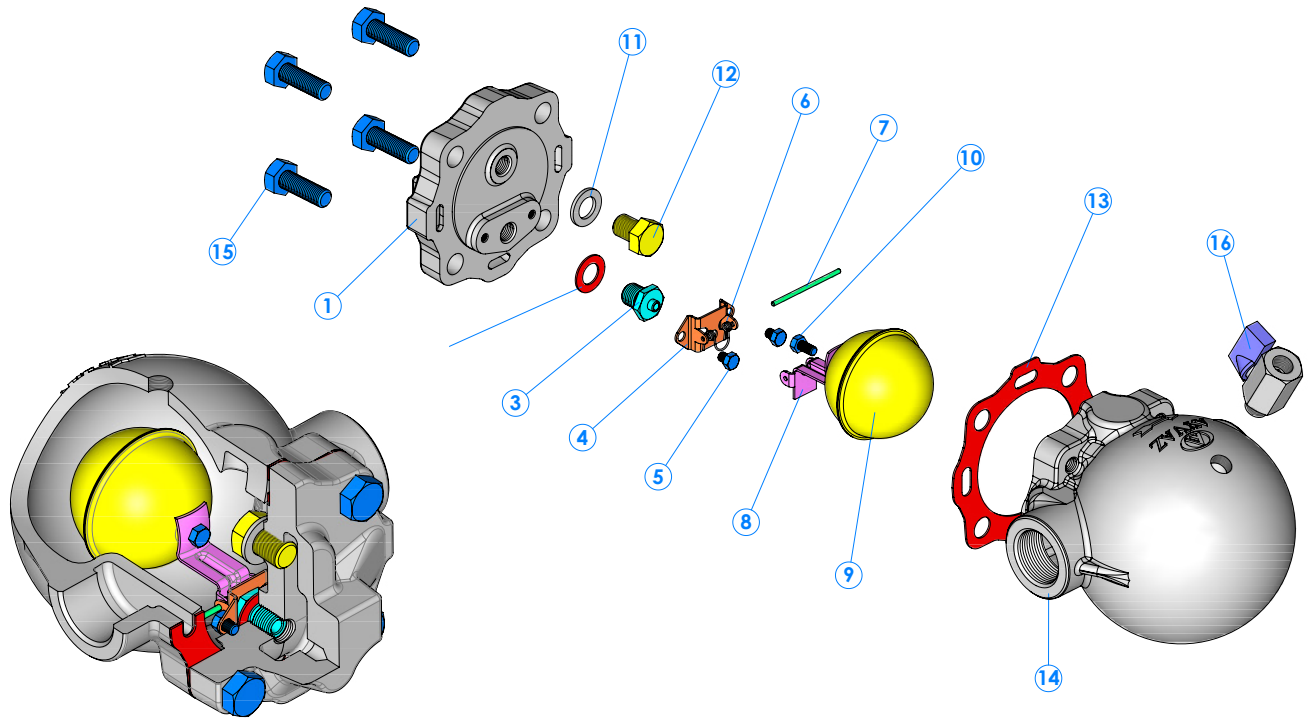
Dia.	Threaded (mm)						
	A	B	C	ØD	ØD1	L	Weight (kg)
1/2"	150	81,5	108	98	40	122	3,5
3/4"	150	81,5	108	98	40	122	3,5
1"	167	92,5	108	120	47	145	4,3

All measurements in the table are given in mm.

All technical arrangements and changes to be made in the production process are the property of Ayvaz.

SA-61 LIQUID DRAINER

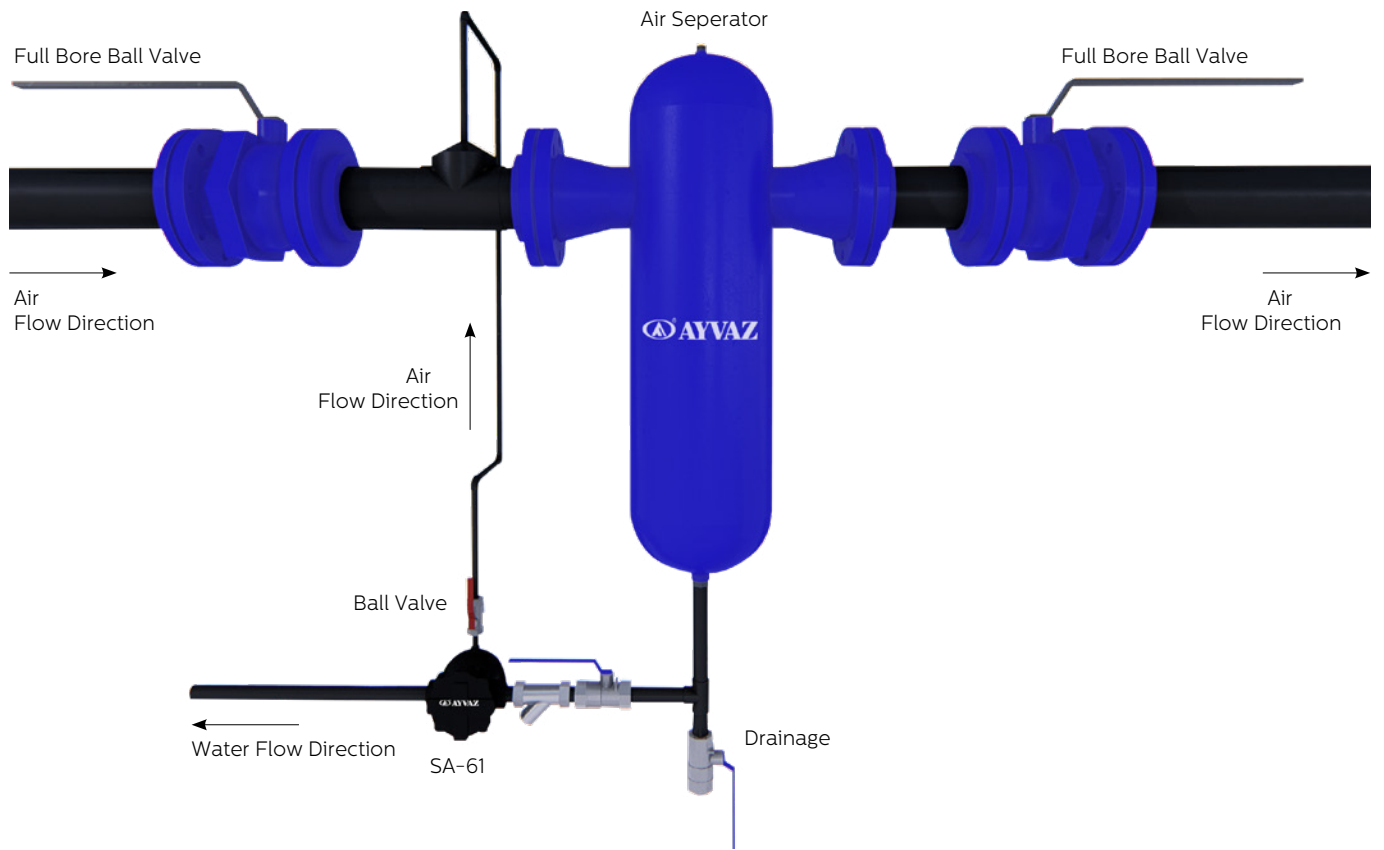
PRODUCT STRUCTURE



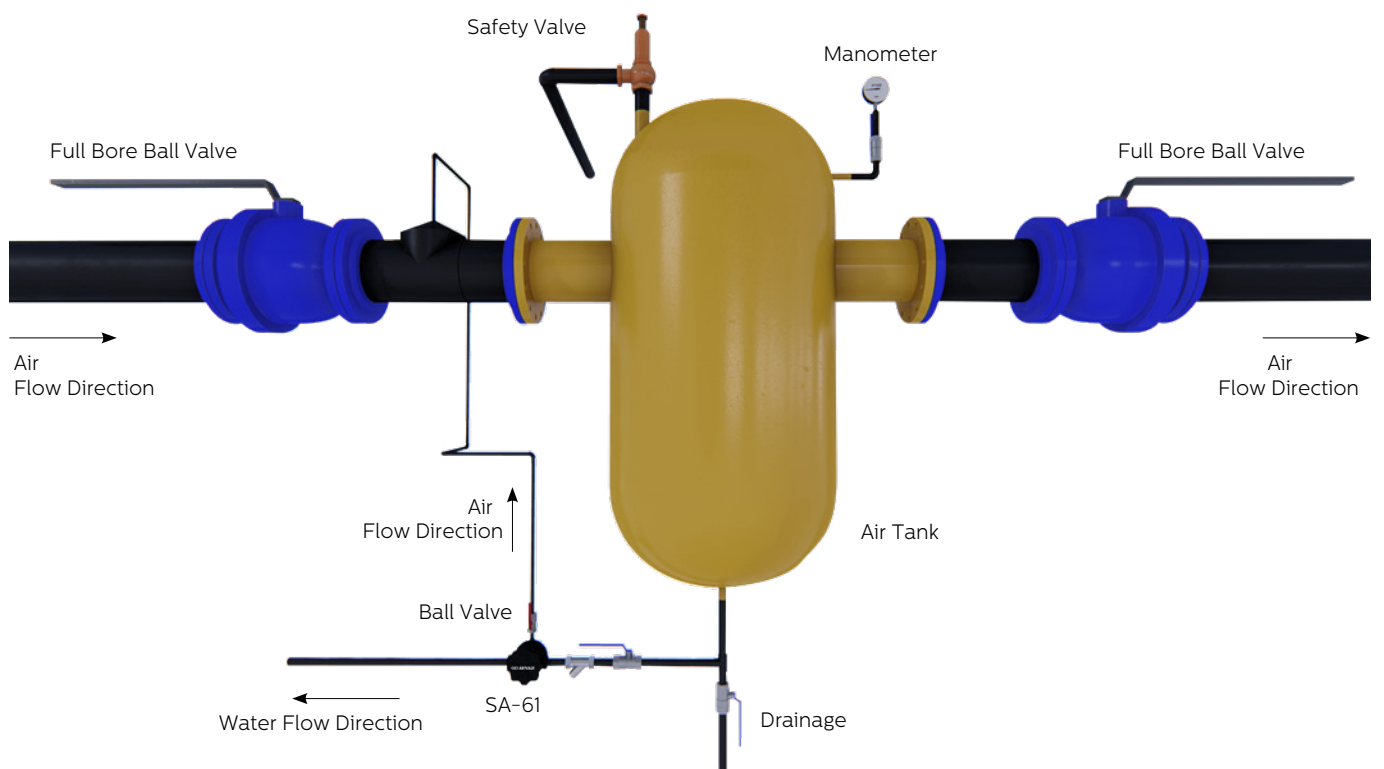
PART LIST		
No	PART NAME	MATERIALS
1	Cover	AISI 316 Stainless Steel
2	Seat Gasket	Stainless Steel
3	Float Seat	Stainless Steel
4	Float Handle Bearings	Stainless Steel
5	Bolt A.K.B. M5	Stainless Steel
6	Spring	Spring Steel
7	Float Stem	Stainless Steel
8	Float Handle	Stainless Steel
9	Float	Stainless Steel
10	Bolt A.K.B. M5	Stainless Steel
11	Washer	Stainless Steel
12	Bolt A.K.B. M12	Stainless Steel
13	Cover Gasket	%94 Pure Graphite
14	Body	AISI 316 Stainless Steel
15	Bolt A.K.B. M10	8.8
16	Ball Valve 1/4"	Stainless Steel

SA-61 LIQUID DRAINER

AIR SEPARATOR APPLICATION SAMPLE

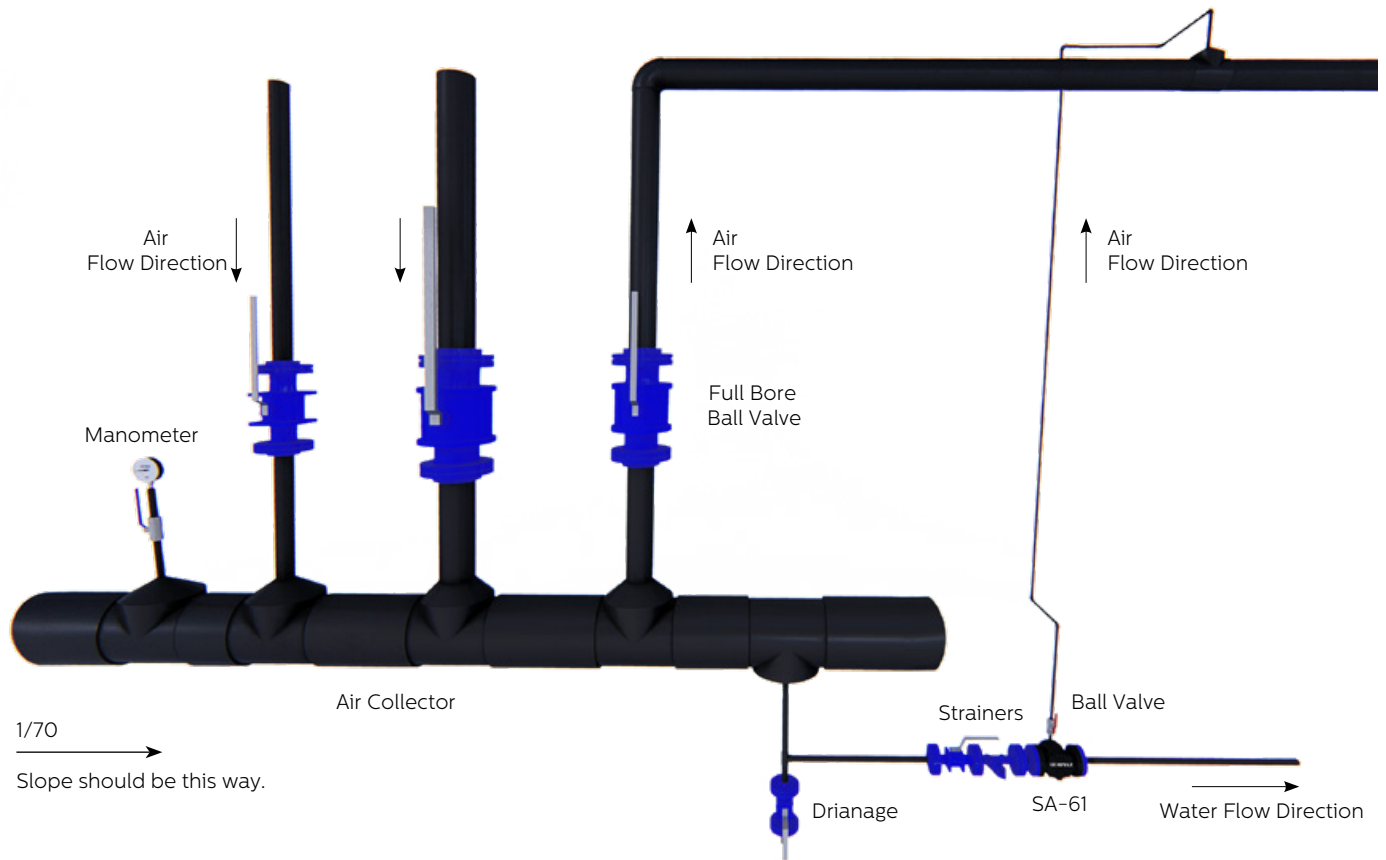


AIR TANK APPLICATION SAMPLE

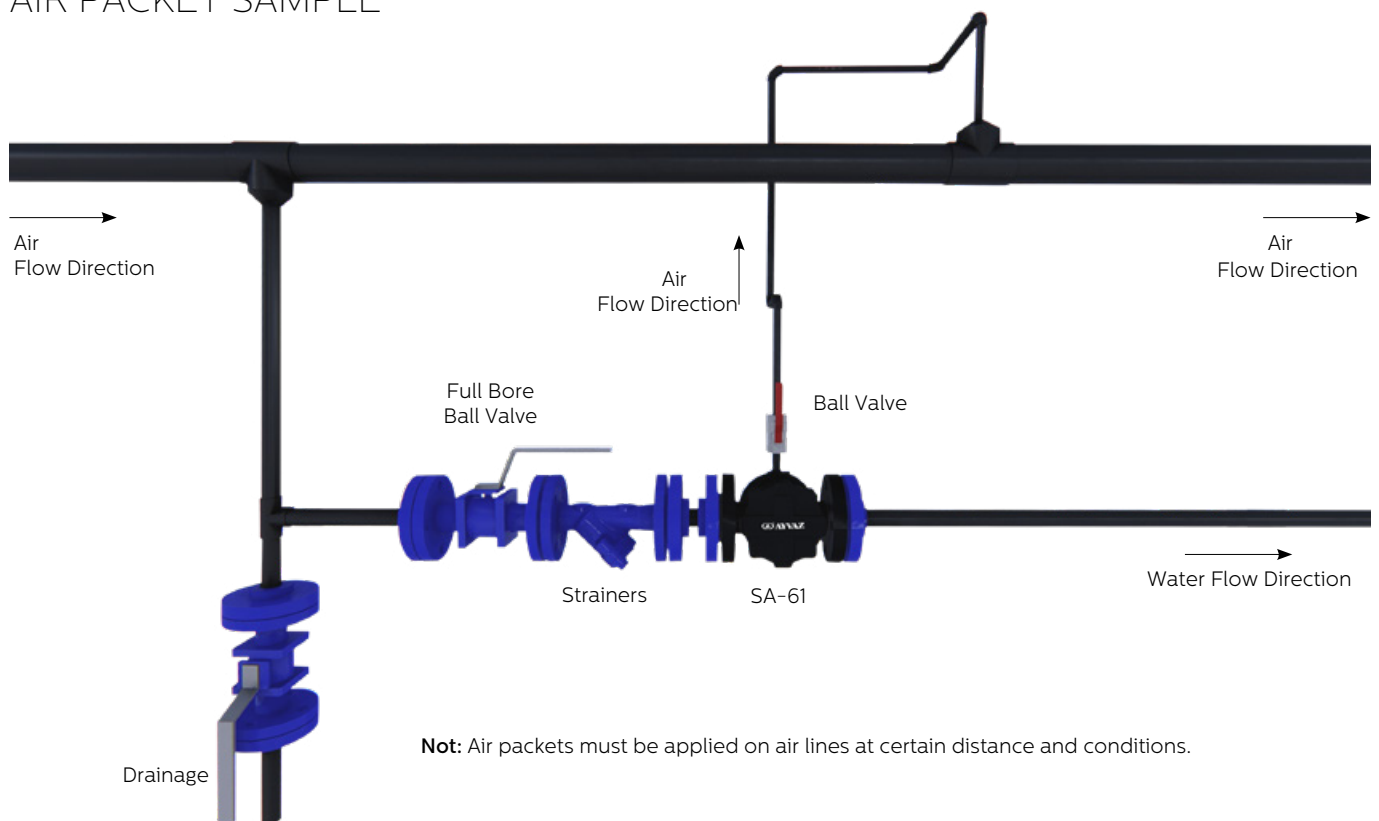


SA-61 LIQUID DRAINER

AIR COLLECTOR APPLICATION SAMPLE



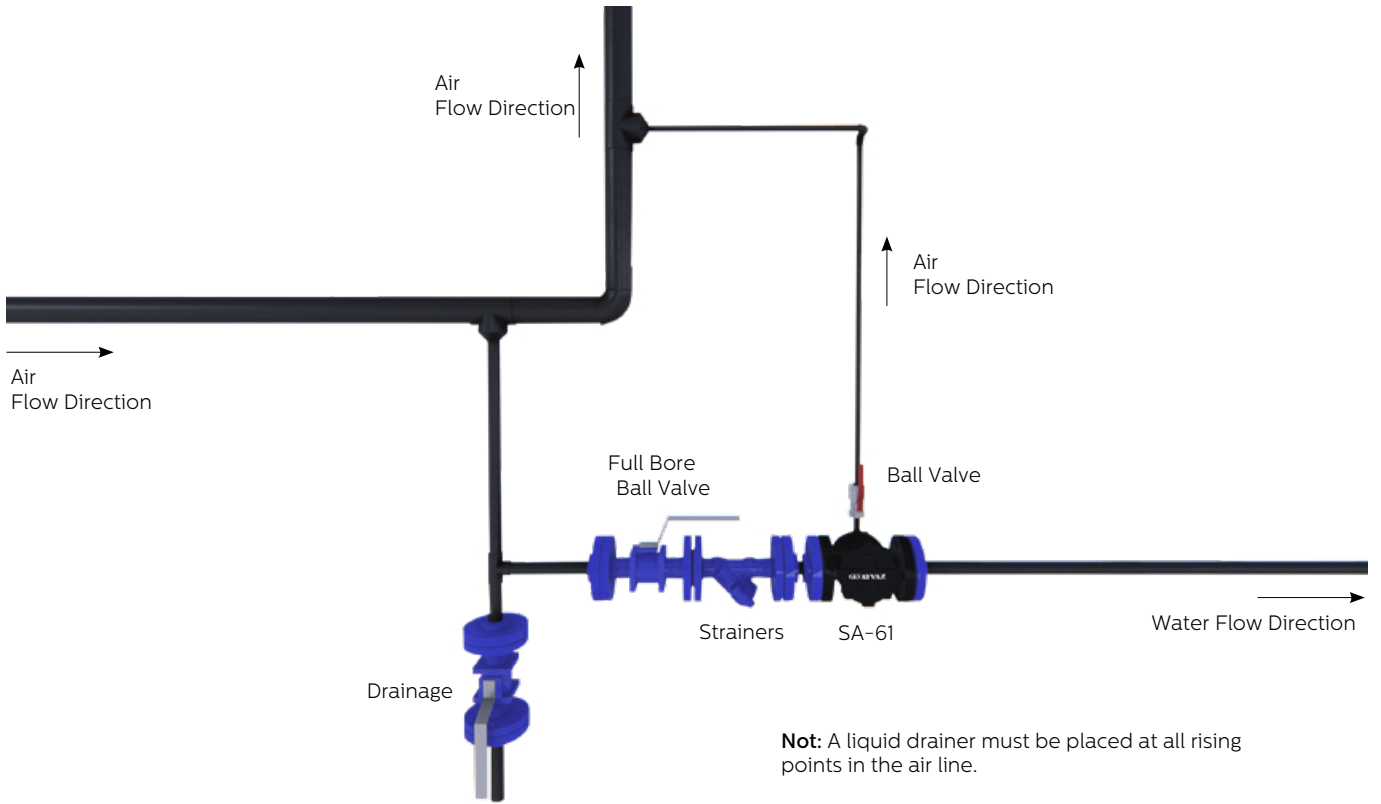
AIR PACKET SAMPLE



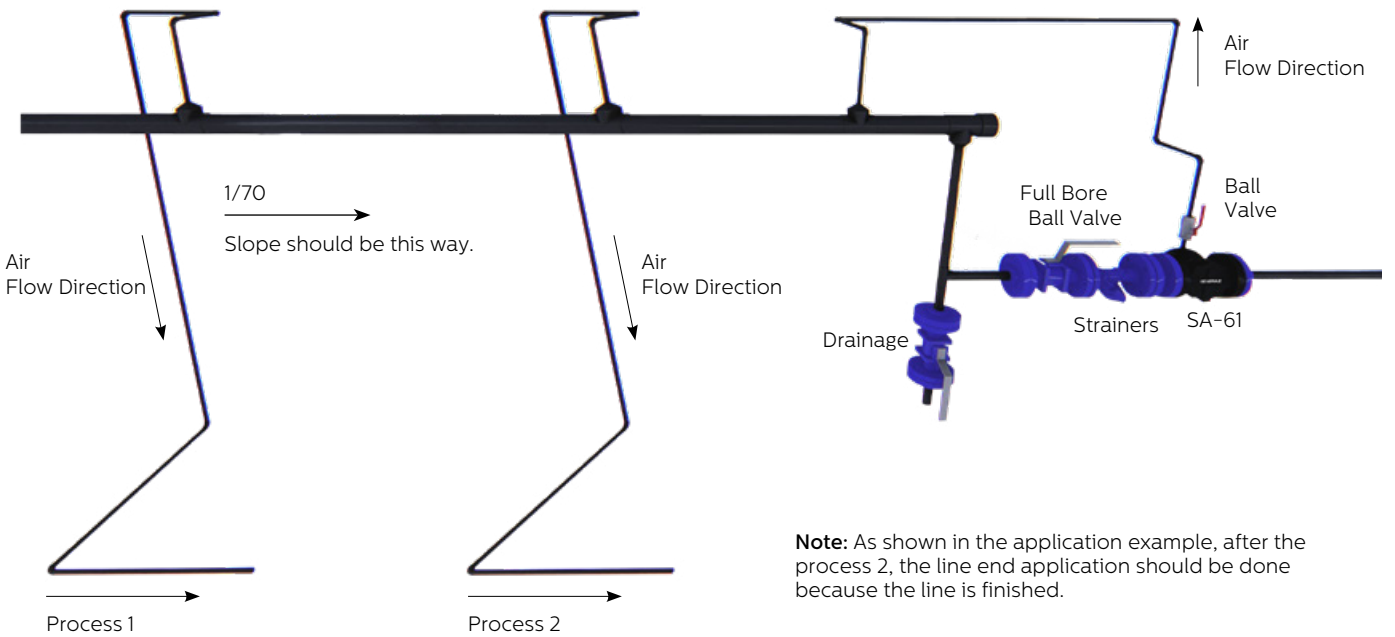
Not: Air packets must be applied on air lines at certain distance and conditions.

SA-61 HAVA DEVRELERİNDEN SIVI ATICI

AIR PACKET SAMPLE-2



END OF THE LINE APPLICATION



SA-61 LIQUID ELIMINATORS/ FLOAT TYPE LIQUID DRAINERS



HEAD OFFICE - FACTORY

Atatürk Sanayi Bölgesi Hadımköy Mahallesi Mustafa İnan Caddesi No: 44 Arnavutköy - İSTANBUL
Tel: +90 212 771 01 45 (pbx) | Fax: +90 212 771 47 27
info@ayvaz.com | www.ayvaz.com

Cona Caserta/Italy

Tel: +39 0823 187 3988
rmolaro@ayvaz.com

Ayvaz Germany Viernheim/Germany

Tel: +49 62046014399
germany@ayvaz.com

Ayvaz Ukraine Kiev/Ukraine

Tel: +380 44 390 57 57
info@ayvaz.com.ua

Tricorr Warsaw/Poland

Tel: +48 530 030 810
+48 533 603 335
tricorr@tricorr.eu

Ayvaz Azerbaijan Baku/Azerbaijan

Tel: +99 (455) 579-84-32
ahayatov@ayvaz.com

Ayvaz Egypt Cairo/Egypt

Tel: +20 122 819 78 29
andrew.eid@ayvaz.com

Ayvaz Gulf Dubai/U.A.E

Tel: +971 563550822
+971 501306871
mideast@ayvaz.com

Ayvaz China Ningbo/China

Tel: +86 152 5830 7361
msahin@ayvaz.com

Ayvaz Kazakhstan LLP Almaty/Kazakhstan

Tel: +7 (727) 327 97 57
info_kz@ayvaz.com

Ayvaz N Ispirih/Bulgaria

Tel: +359 8431 27 32
office@ayvaz-n.eu

Ayvaz Serbia Belgrade/Serbia

Tel: +381 61 658 70 52
yakbiyik@ayvaz.com

Ayvaz Vietnam HCMC/Vietnam

ggursoy@ayvaz.com
Tel: +84 89 8508345

Ayvaz Americas Rhode Island/USA

Tel: +1 401 737 8380
americas@ayvaz.com