

PKV-50

PNEUMATIC CONTROLLED ON/OFF VALVE

GENERAL FEATURES

Pneumatic valve works by moving single acting piston with air controlled actuator. Normally closed position. When the air moves to actuator, the piston moves upwards and the valve is opened. When the air is cut off, the piston is pushed through the spring and the valve is brought to the closed position. It is Y type valve as shown.

Applications:

Textile printing and painting
 Drug and medical equipment
 Food Facilities
 Organic and inorganic chemical industry
 Water / sewage discharge
 Paper factories
 Iron and steel factories

Fluids:

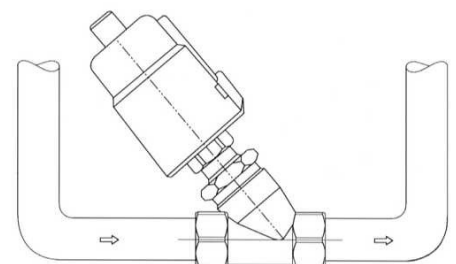
- Water
- Hot water
- Steam
- LPG, pressured gasses
- Gases such as oxygen, hydrogen and nitrogen
- Various chemical fluids

Installation:

Correct selection of installation should be done according to appropriate conditions. The arrow mark on the body must be in the direction of flow. It can be mounted in every direction. But in order to understand the open / closed position, it is beneficial that the drive head is in the place to be seen.

Advantages:

- Easy to use
- Easy installation
- Low energy consumption
- Long working life
- Reliability
- High Sealing
- Flow Control

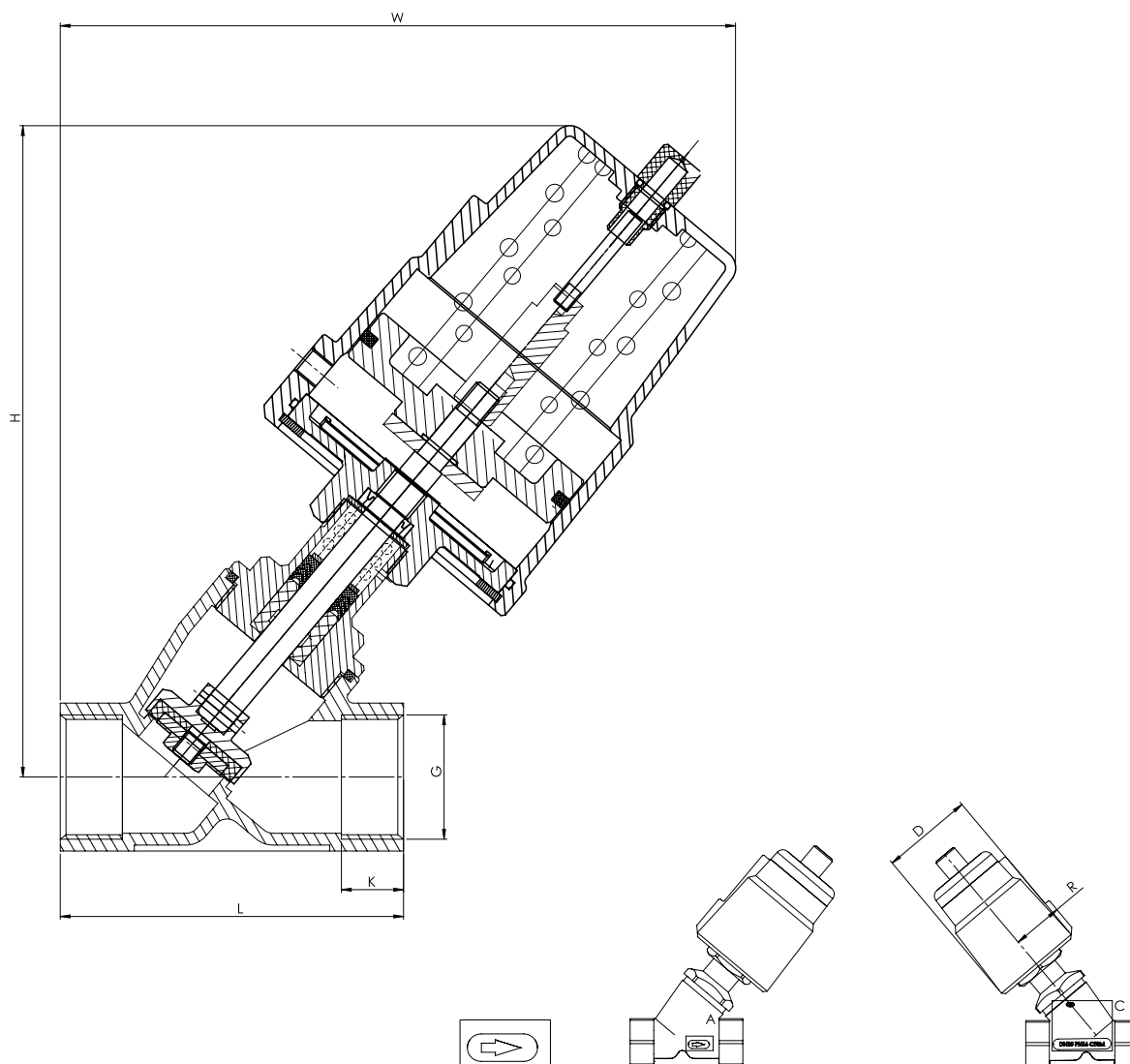


Flow Direction

Diameter	
DN (mm)	inch
15-50	1/2" - 2"

Technical Specifications	
Body	AISI 316 Stainless Steel
Connection	Threaded
Gasket	PTFE
Max. Working Pressure	16 bar
Max. Working Temperature	180°C
Air Supply Pressure Range	3-8 bar

PKV-50 PNEUMATIC CONTROLLED ON/OFF VALVE



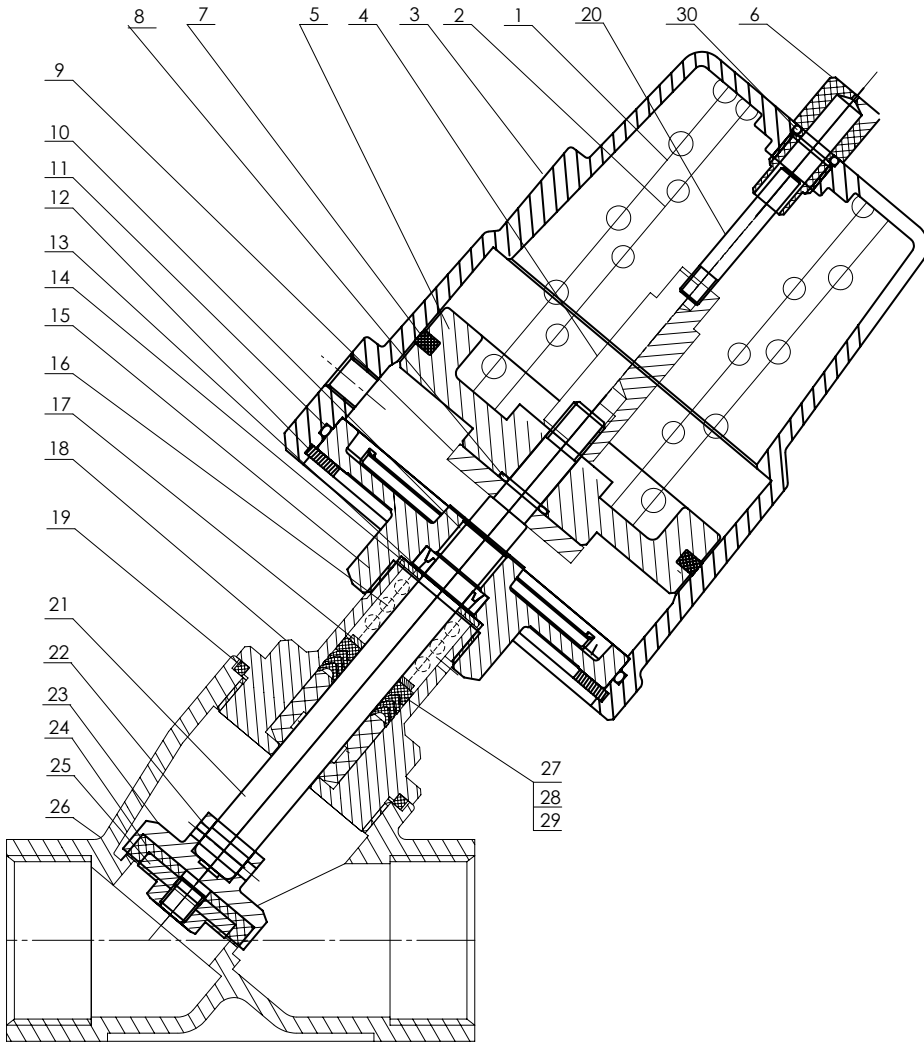
SPECIFICATIONS

Connexion	Inner Hole	Kv (m ³ /h)	Working Pressure	Control Pressure	Actuator (mm)
G 1/2	13	4,70	0-1,6	0,3 - 0,8	50
G 3/4	18	9,50	0-1,6	0,3 - 0,8	50
G1	24	18,10	0-1,6	0,3 - 0,8	63
G1 1/4	31	23,10	0-1,6	0,3 - 0,8	90
G1 1/2	35	32,90	0-1,6	0,3 - 0,8	90
G2	45	52,80	0-1,6	0,3 - 0,8	90

DIMENSIONS

DN(mm)	G(BSP)	L	H	W	K	D	SW	R	Weight
DN15	1/2"	68	125	135	15	60	27	33	1.02
DN20	3/4"	75	132	140	16	60	32	33	1.13
DN25	1"	90	162	172	17	75	40	41	2.13
DN32	1 1/4"	116	223	235	21	106	50	55	5
DN40	1 1/2"	116	223	235	21	106	56	55	5.12
DN50	2"	138	232	250	25	106	69	55	6

PKV-50 PNEUMATIC CONTROLLED ON/OFF VALVE



TECHNICAL SPECIFICATIONS		
No	Part	Material
1	SPRING 1	65Mn
2	SPRING 2	65Mn
3	ACTUATOR	CF8
4	NUT	ALLY12
5	PISTON	ALLY12
6	CAP	PC
7	PISTON RING	FPM
8	O RING	NBR
9	PISTON WASHER	304
10	BEARING	14X12X10
11	O-RING	NBR
12	CHECK RING	304
13	Y-RING	YPM
14	WASHER 1	304
15	COVER	CF8M
16	SPRING	304
17	WASHER 2	304
18	CONNECTION	CF8M
19	BODY SEALİ	PTFE
20	INDICATOR	Nylon
21	STEM	304
22	ROUND PIN	304
23	VALVE CORE	CF8
24	SEAT/	PTFE
25	WASHER	CF8
26	BODY	CF8M
27	STEM SEAT 1	PTFE
28	STEM SEAT 2	PTFE
29	STEM SEAT 3	PTFE
30	O RING	NBR



HEAD OFFICE - FACTORY

Atatürk Sanayi Bölgesi Hadımköy Mahallesi Mustafa İnan Caddesi No: 44 Arnavutköy - İSTANBUL
 Tel: +90 212 771 01 45 (pbx) | Fax: +90 212 771 47 27
 info@ayvaz.com | www.ayvaz.com

Cona
Caserta/Italy
 Tel: +39 0823 187 3988
 rmlaro@ayvaz.com

Ayvaz Germany
Viernheim/Germany
 Tel: +49 62046014399
 germany@ayvaz.com

Ayvaz Ukraine
Kiev/Ukraine
 Tel: +380 44 390 57 57
 info@ayvaz.com.ua

Tricorr
Warsaw/Poland
 Tel: +48 530 030 810
 +48 533 603 335
 tricorr@tricorr.eu

Ayvaz Azerbaijan
Baku/Azerbaijan
 Tel: +99 (455) 579-84-32
 ahayatov@ayvaz.com

Ayvaz Egypt
Cairo/Egypt
 Tel: +20 122 819 78 29
 andrew.eid@ayvaz.com

Ayvaz Gulf
Dubai/U.A.E
 Tel: +971 563550822
 +971 501306871
 mideast@ayvaz.com

Ayvaz China
Ningbo/China
 Tel: +86 152 5830 7361
 msahin@ayvaz.com

Ayvaz Kazakhstan LLP
Almaty/Kazakhstan
 Tel: +7 (727) 327 97 57
 info_kz@ayvaz.com

Ayvaz N
Ispirih/Bulgaria
 Tel: +359 8431 27 32
 office@ayvaz-n.eu

Ayvaz Serbia
Belgrade/Serbia
 Tel: +381 61 658 70 52
 yakbiyik@ayvaz.com

Ayvaz Vietnam
HCMC/Vietnam
 Tel: +84 89 8508345
 ggursoy@ayvaz.com

Ayvaz Americas
Rhode Island/USA
 Tel: +1 401 737 8380
 americas@ayvaz.com