



FGLV

GLOBE VALVE

GENERAL FEATURES

Ayvaz FGLV Globe valves are manufactured according to API 602 design standards and have a wide range of use in industrial applications thanks to their high pressure and temperature resistant structure. Ayvaz FGLV globe valves can be designed in different body materials, trim materials, pressure classes and connection types in accordance with API standards according to fluid conditions.

Advantages

- Compact and robust design in high temperature and pressure fluids
- Variety of designs suitable for fluid conditions
- Various flap designs
- Full tightness thanks to the tightened packing group
- Easily removable and repairable shaft and disc design
- They can be used for ON-OFF and control purposes

Applications

- Saturated Steam
- Superheated steam
- Gas
- Petroleum and Derivatives
- Water
- Air
- Various Chemical fluids
- Acid

FGLV GLOBE VALVE

DESIGN STANDARDS

Design Standard:

- API602, BS5352, ANSI B16.34

Connection

- ANSI B16.11(SW)
- ANSI B1.20.1(NPT)
- ANSI B16.25 (BW)
- ANSI B16.5 (RF)

Test Standard

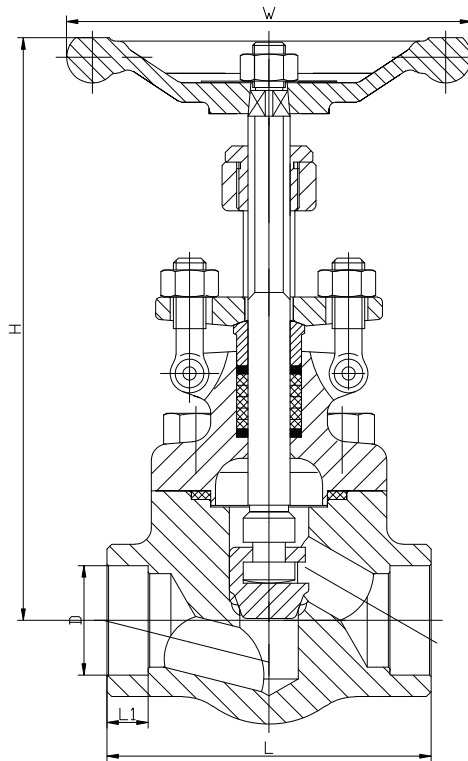
- API598

Size

- DN15(1/2") - DN50(2")

Pressure Class

- Class 150 - Class 1500



FGLV CLASS 800 (SW,BW,NPT)						
DIA	DN	D	L1	L	H	W
1/2"	15	21.7	9.6	79	164	100
3/4"	20	27.1	12.7	92	164	100
1"	25	33.8	12.7	111	203	125
1 1/4"	32	42.5	12.7	120	224	160
1 1/2"	40	48.6	12.7	152	260	160
2"	50	61.1	15.7	172	300	180

FGLV CLASS 1500 (SW,BW,NPT)						
DIA	DN	D	L1	L	H	W
1/2"	15	21.7	9.6	111	207	125
3/4"	20	27.1	12.7	111	207	125
1"	25	33.8	12.7	120	240	160
1 1/4"	32	42.5	12.7	152	258	160
1 1/2"	40	48.6	12.7	172	330	180
2"	50	61.1	15.7	220	355	200

FGLV GLOBE VALVE

WORKING TEMP.	CLASS 150					CLASS 300					CLASS 600				
	A105	F316	F11	F22	LF2	A105	F316	F11	F22	LF2	A105	F316	F11	F22	LF2
-46 °C		19.0			19.6		49.6			51.1		99.3			102.1
-29 °C/38 °C	19.6	19.0	19.8	19.8	19.6	51.1	49.6	51.7	51.7	51.1	102.1	99.3	103.4	103.4	102.1
50 °C	19.2	18.4	19.5	19.5	19.2	50.1	48.1	51.7	51.7	50.1	100.2	96.2	103.4	103.4	100.2
100 °C	17.7	16.2	17.7	17.7	17.7	46.6	42.2	51.5	51.5	46.6	93.2	84.4	103.0	103.0	93.2
150 °C	15.8	14.8	15.8	15.8	15.8	45.1	38.5	49.7	50.3	45.1	90.2	77.0	99.5	100.3	90.2
200 °C	13.8	13.7	13.8	13.8	13.8	43.8	35.7	48.0	48.6	43.8	87.6	71.3	95.9	97.2	87.6
250 °C	12.1	12.1	12.1	12.1	12.1	41.9	33.4	46.3	46.3	41.9	83.9	66.8	92.7	92.7	83.9
300 °C	10.2	10.2	10.2	10.2	10.2	39.8	31.6	42.9	42.9	39.8	79.6	63.2	85.7	85.7	79.6
325 °C	9.3	9.3	9.3	9.3	9.3	38.7	30.9	41.4	41.4	38.7	77.4	61.8	82.6	82.6	77.4
350 °C	8.4	8.4	8.4	8.4	8.4	37.6	30.3	40.3	40.3	37.6	75.1	60.7	80.4	80.4	75.1
375 °C	7.4	7.4	7.4	7.4	7.4	36.4	29.9	38.9	38.9	36.4	72.7	59.7	77.6	77.6	72.7
400 °C	6.5	6.5	6.5	6.5	6.5	34.7	29.4	36.5	36.5	34.7	69.4	58.9	73.3	73.3	69.4
425 °C	5.5	5.5	5.5	5.5	5.5	28.8	29.1	35.2	35.2	28.8	57.5	58.3	70.0	70.0	57.5
450 °C	4.6*	4.6	4.6	4.6	4.6*	23.0*	28.8	33.7	33.7	23.0*	46*	57.7	67.7	67.7	46*
475 °C	3.7*	3.7	3.7	3.7	3.7*	17.4*	28.7	31.7	31.7	17.4*	34.9*	57.3	63.4	63.4	34.9*
500 °C	2.8*	2.8	2.8	2.8	2.8*	11.8*	28.2	25.7	28.2	11.8*	23.5*	56.5	51.5	56.5	23.5*
538 °C	1.4*	1.4	1.4	1.4	1.4*	5.9*	25.2	14.9	18.4	5.9*	11.8*	50.0	29.8	36.9	11.8*
550 °C								12.7	15.6				25.4	31.3	
575 °C								8.8	10.5				17.6	21.1	
600 °C								6.1	6.9				12.2	13.8	

CLASS 800					CLASS 1500					
A105	F5	F316	F316H	LF2	F9	F11	F22	"A105 LF2"	F22	F316
		132.4		136.2				255.3		248.2
136.2	137.9	132.4	132.4	136.2	137.9	137.9	137.9	255.3	258.6	248.2
133.7	137.3	128.3	128.3	133.7	137.9	137.9	137.9	250.6	258.6	240.6
124.3	134.5	112.5	112.5	124.3	137.4	137.3	137.4	233.0	257.6	211.0
120.2	128.5	102.7	102.7	120.2	133.8	132.6	133.8	225.4	250.9	192.5
116.8	123.4	95.1	95.1	116.8	129.6	127.9	129.6	219.0	243.4	178.3
111.8	119.5	89.0	89.0	111.8	123.6	123.6	123.6	209.7	231.8	166.9
106.2	114.3	84.3	84.3	106.2	114.3	114.3	114.3	199.1	214.4	158.1
103.2	110.2	82.4	82.4	103.2	110.2	110.2	110.2	193.6	206.6	154.4
100.2	107.3	80.9	80.9	100.2	107.3	107.3	107.3	187.8	201.1	151.6
97.0	103.5	79.7	79.7	97.0	103.5	103.5	103.5	181.8	194.1	149.4
92.6	97.6	78.5	78.5	92.6	97.6	97.6	97.6	173.6	183.1	147.2
76.7	93.4	77.7	77.7	76.7	93.4	93.4	93.4	143.8	175.1	145.7
61.3*	90.2	76.9	76.9	61.3*	90.2	90.2	90.2	115.0*	169.1	144.2
46.5*	74.3	76.4	76.4	46.5*	84.5	84.5	84.5	87.2*	158.2	143.4
31.4*	57.0	75.3	75.3	31.4*	75.3	68.6	75.3	58.8*	140.9	140.9
15.7*	36.5	66.8	66.8	15.7*	46.7	39.7	49.2	29.5*	92.2	125.5
	32.1		66.5		40.0	33.9	41.7		78.2	
	23.5		63.8		27.9	23.5	28.1		52.6	
	16.2		53.1		19.1	16.3*	18.4*		34.4	

* We kindly advise NOT TO USE in that temperatures.

FGLV GLOBE VALVE

3D





HEAD OFFICE - MAIN FACTORY
Atatürk Sanayi Bölgesi Hadımköy Mahallesi
Mustafa İnan Caddesi No: 44 Arnavutköy - İSTANBUL
Tel: +90 212 771 01 45 (pbx) | Fax: +90 212 771 47 27
info@ayvaz.com | www.ayvaz.com



Cona
Caserta / Italy
Tel : +39 0823 187 3988
rmolaro@ayvaz.com



Ayvaz Ukraine
Kiev / Ukraine
Tel : +380 44 390 57 57
info@ayvaz.com.ua



Tricorr
Warsaw / Poland
Tel : +48-32-783-295-1
tricorr@tricorr.eu



Ayvaz Germany
Viernheim / Germany
Tel : +49 62046014399
germany@ayvaz.com



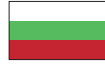
Ayvaz Serbia
Belgrade / Serbia
Tel : +381 61 658 70 52
yakbijik@ayvaz.com



Ayvaz Azerbaijan
Baku / Azerbaijan
Tel : +99(455)579-84-32
ahayatov@ayvaz.com



Ayvaz Kazakhstan LLP
Almaty / Kazakhstan
Tel : +7 (727) 327 97 57
www.ayvaz.kz



Ayvaz N
Isperih / Bulgaria
Tel : +359 8431 27 32
office@ayvaz-n.eu



Ayvaz Vietnam
HCMC / Vietnam
Tel : +84 89 8508345
ggursoy@ayvaz.com



Ayvaz China
Ningbo / China
Tel : +86 152 5830 7361
msahin@ayvaz.com



Ayvaz Egypt
Cairo / Egypt
Tel : +20 122 819 78 29
andrew.eid@ayvaz.com



Ayvaz Gulf
Dubai / U.A.E.
Tel : +971 563550822
+971 501306871
mideast@ayvaz.com



Ayvaz Americas
Rhode Island
Tel : +1 401 737 8380
americas@ayvaz.com