



CBAV

**API 6D BALL VALVE**

## GENERAL FEATURES

In ball valves, the essential element is a sphere with a hole in the middle. In the 90° rotation of this sphere, it is passed from the fully open position to the fully closed position. Ball valves are primarily used in places that open and close a lot or where it is required to open and close quickly. Its advantages are low pressure losses, easy opening and closing, good sealing, light weight and small footprint. Sealing; It consists of two stages as the sealing of the ball and the sealing of the shaft.

**Material****Body:** WCB/CF8M**Sphere:** AISI316**Connection:** Flanged**Size:** Floating Type DN15 (1/2") - DN200 (8") / Trunnion Type DN250 (10") - DN300 (12")**Pressure Class:** Class 150, Class 300**Temp. Range:** -25°C'den 250°C'**Applications**

- HVAC Lines
- Food & Beverage
- Chemical
- Marine
- Paper

**Actuators**

- Hand Operated
- Single Acting Pneumatic Actuator
- Double Acting Pneumatic Actuator
- Electric Actuated/On-Off (Manual Lever Addition)

# CBAV API 6D BALL VALVE

DN15-DN200

## Design Standards

### Design Standard:

- API 6D

### Connection Standard:

- Flanşlı: ANSI B16.5 (RF)

### F-F standard:

- ANSI B16.10

### Test Standard:

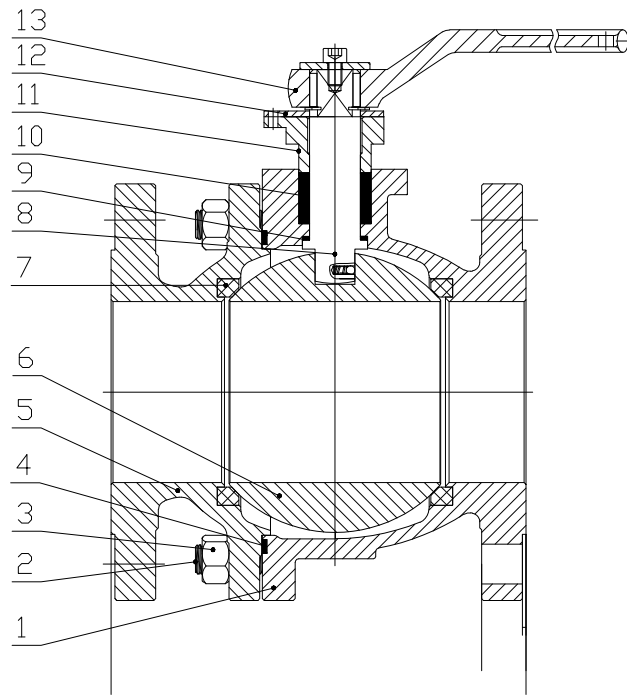
- API598

### Size:

- DN50(2") - DN300(12")

### Pressure Class:

- Class 150 - Class 300



STANDARD PART LIST DN50-200

NO	Part	CBAV-10/20	CBAV-30/40	CBAV-50/60	CGAV-70/80
1	Body	A216 WCB	A351 CF8M	A352 LCB	A351 CF8
2	Cover Bolt	A193 B7	A193 B8	A320 L7	A193 B8
3	Cover Nut	A194 2H	A194 8	A194 7	A194 8
4	Cover Gasket	SS316+Graphite	SS316+Graphite	SS304+Graphite	SS304+Graphite
5	Cover	A216 WCB	A351 CF8M	A352 LCB	A351 CF8
6	Sphere	SS316	SS316	SS304	SS304
7	Ring	RPTFE	RPTFE	RPTFE	RPTFE
8	Stem	A276 F316	A276 F316	A276 304	A276 F304
9	Stem Gasket	PTFE	PTFE	PTFE	PTFE
10	Seal	Graphite	Graphite	Graphite	Graphite
11	Seal Flange	A216 WCB	A351 CF8	A352 LCB	A182 F304
12	Position Display	Carbon Steel	Carbon Steel	Carbon Steel	Carbon Steel
13	Lever	Carbon Steel	Carbon Steel	Carbon Steel	Carbon Steel

# CBAV API 6D BALL VALVE

DN200-DN300

## Design Standards

### Design Standard:

- API 6D

### Connection Standard:

- Flanşlı: ANSI B16.5 (RF)

### F-F standard:

- ANSI B16.10

### Test Standard:

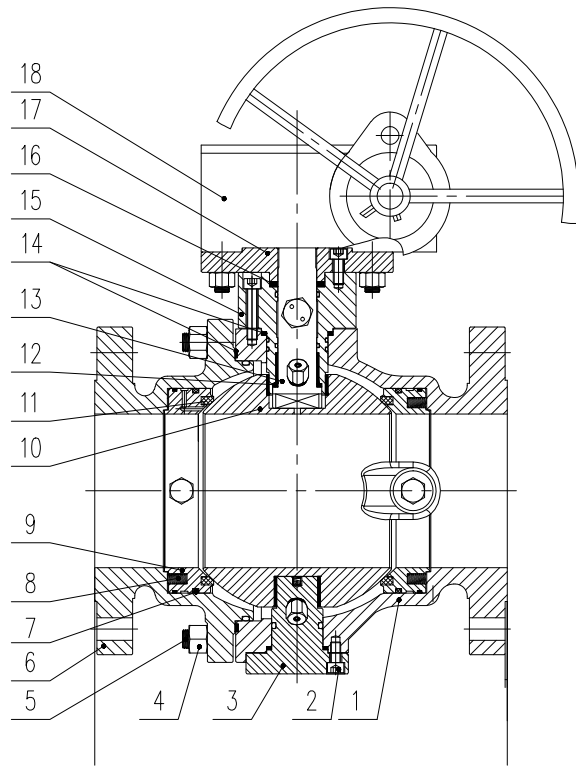
- API598

### Size:

- DN50(2") - DN300(12")

### Pressure Class:

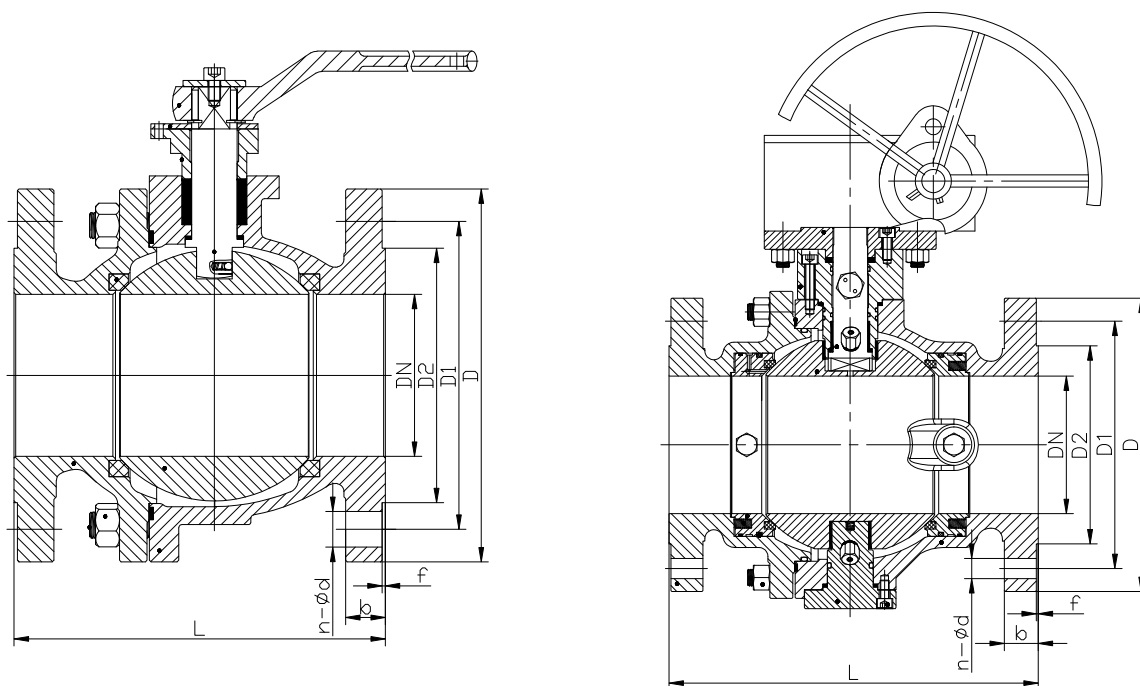
- Class 150 - Class 300



STANDARD MODELS PART LIST DN200-300

NO	Part	CBAV-10/20	CBAV-30/40	CBAV-50/60	CGAV-70/80
1	Body	A216 WCB	A351 CF8M	A352 LCB	A351 CF8
2	Bolt	A193 B7	A193 B8	A320 L7	A193 B8
3	Part	A105+ENP	A182 F316	LF2+ENP	A182 F304
4	Cover Bolt	A193 B7	A193 B8	A320 L7	A193 B8
5	Cover Nut	A194 2H	A194 8	A194 7	A194 8
6	Cover	A216 WCB	A351 CF8M	A352 LCB	A351 CF8
7	O-Ring	SS316+Graphite	SS316+Graphite	SS304+Graphite	SS304+Graphite
8	Spring	INCONEL X-750	INCONEL X-750	INCONEL X-750	INCONEL X-750
9	Seat	A182 F316	A182 F316	A182 F304	A182 F304
10	Sphere	SS316	SS316	SS304	SS304
11	Ring	RPTFE	RPTFE	RPTFE	RPTFE
12	Stem Gasket	PTFE	PTFE	PTFE	PTFE
13	Stem	A276 F316	A276 F316	A276 304	A276 F304
14	Cover Gasket	SS316+Graphite	SS316+Graphite	SS304+Graphite	SS304+Graphite
15	Part	A105	A182 F316	LF2	A182 F304
16	Seal	Graphite	Graphite	Graphite	Graphite
17	Seal Flange	A216 WCB	A351 CF8	A352 LCB	A182 F304
18	Reduction	Carbon Steel	Carbon Steel	Carbon Steel	Carbon Steel

# CBAV API 6D BALL VALVE



CBAV CLASS 150 (RF)

DIA	DN	D	D1	D2	b	n-ød	L	f
2"	50	150	120,7	92,1	16	4-ø19	178	1.6
2 1/2"	65	180	139,7	104,8	17,5	4-ø19	190	1.6
3"	80	190	152,4	127	19,5	4-ø19	203	1.6
4"	100	230	190,5	157,2	24	8-ø19	229	1.6
5"	125	255	215,9	185,7	24	8-ø22	356	1.6
6"	150	280	241,3	215,9	25,5	8-ø22	394	1.6
8"	200	345	298,5	269,9	29	8-ø22	457	1.6
10"	250	405	362	323,8	30,5	12-ø25	533	1.6
12"	300	485	431,8	381	32	12-ø25	610	1.6

CBAV CLASS 300 (RF)

DIA	DN	D	D1	D2	b	n-ød	L	f
2"	50	165	127	92	23	8-ø19	216	1.6
2 1/2"	65	190	149	105	26	8-ø22	241	1.6
3"	80	210	168,5	127	29	8-ø22	282	1.6
4"	100	255	200	157	32	8-ø22	305	1.6
5"	125	280	235	186	35,5	8-ø22	381	1.6
6"	150	320	270	216	37	12-ø22	403	1.6
8"	200	380	330	270	42	12-ø25	502	1.6
10"	250	445	387,5	324	48	16-ø29	568	1.6
12"	300	520	451	381	51,5	16-ø32	648	1.6



HEAD OFFICE - MAIN FACTORY  
Atatürk Sanayi Bölgesi Hadımköy Mahallesi  
Mustafa İnan Caddesi No: 44 Arnavutköy - İSTANBUL  
Tel: +90 212 771 01 45 (pbx) | Fax: +90 212 771 47 27  
info@ayvaz.com | www.ayvaz.com



Cona  
Caserta / Italy  
Tel : +39 0823 187 3988  
rmolaro@ayvaz.com



Ayvaz Ukraine  
Kiev / Ukraine  
Tel : +380 44 390 57 57  
info@ayvaz.com.ua



Tricorr  
Warsaw / Poland  
Tel : +48-32-783-295-1  
tricorr@tricorr.eu



Ayvaz Germany  
Viernheim / Germany  
Tel : +49 62046014399  
germany@ayvaz.com



Ayvaz Serbia  
Belgrade / Serbia  
Tel : +381 61 658 70 52  
yakbijik@ayvaz.com



Ayvaz Azerbaijan  
Baku / Azerbaijan  
Tel : +99(455)579-84-32  
ahayatov@ayvaz.com



Ayvaz Kazakhstan LLP  
Almaty / Kazakhstan  
Tel : +7 (727) 327 97 57  
www.ayvaz.kz



Ayvaz N  
Isperih / Bulgaria  
Tel : +359 8431 27 32  
office@ayvaz-n.eu



Ayvaz Vietnam  
HCMC / Vietnam  
Tel : +84 89 8508345  
ggursoy@ayvaz.com



Ayvaz China  
Ningbo / China  
Tel : +86 152 5830 7361  
msahin@ayvaz.com



Ayvaz Egypt  
Cairo / Egypt  
Tel : +20 122 819 78 29  
andrew.eid@ayvaz.com



Ayvaz Gulf  
Dubai / U.A.E.  
Tel : +971 563550822  
+971 501306871  
mideast@ayvaz.com



Ayvaz Americas  
Rhode Island  
Tel : +1 401 737 8380  
americas@ayvaz.com