



BV-10

BUTTERFLY VALVE

GENERAL FEATURES

In butterfly valves, the closing element is a rotating disc located on the vertical axis. When assembled, it rotates around its axis, forming a disc that opens or closes the full pipe section. Sealing is provided between the metal flap and the elastic or plastic sealing elements covering the inside of the body. The sealing element also acts as a gasket in the flange between the valve and the pipe.

Advantages of such valves; low pressure losses, easy opening and closing, good sealing, light weight and small footprint.

While Ayvaz BV-10 Butterfly Valves are being mounted, it should be checked whether the disc moves freely. Valve shaft can be in horizontal or vertical position. However, horizontal mounting should be preferred on DN300.

Material

Body: ASTM A216 WCB CS

Clape: AISI316

Stem: AISI410

Connection

Wafer, Lug, Flanged

Temperature

Max. Operation Temperature: 120 °C

Applications

- Heating, ventilation and air conditioning systems
- Water treatment and distribution systems
- Mining industry
- Shipbuilding and drilling facilities
- Sugar industry, food and chemical enterprises
- Fire extinguishing systems
- Water, sea water, dust, gas, waste water and air

Notes

It is recommended to use reducer type for all diameters of butterfly valves. DN350 and above Butterfly valves are only produced with reducer.

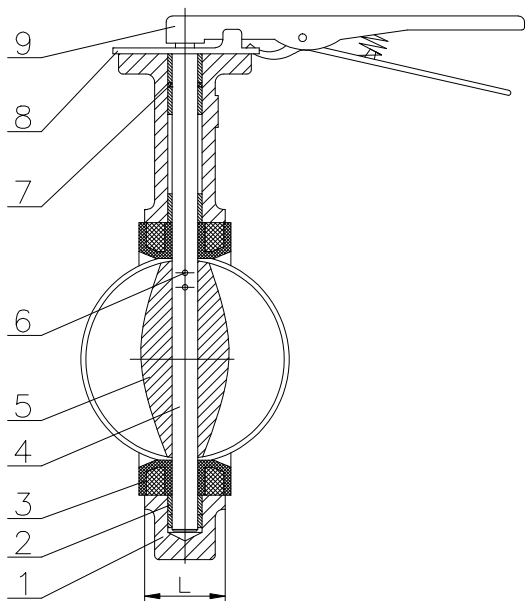
Actuators

- Hand Operated
- Gear Operated
- Single Acting Pneumatic Actuator
- Double Acting Pneumatic Actuator
- Electric Actuated/On-Off (Manual Lever Addition)

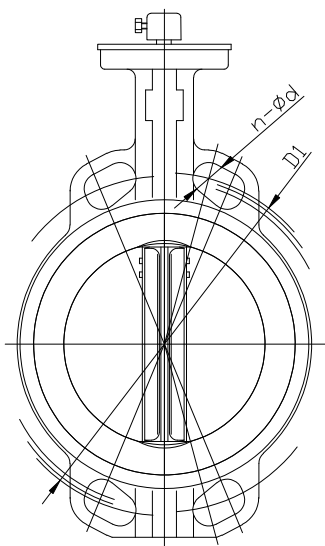
Pressure Class	Dia (mm)
CLASS 150	DN (25-300)

Gasket	Min. Temp. (°C)	Max. Temp. (°C)
EPDM	-10	120

BV-10 BUTTERFLY VALVE



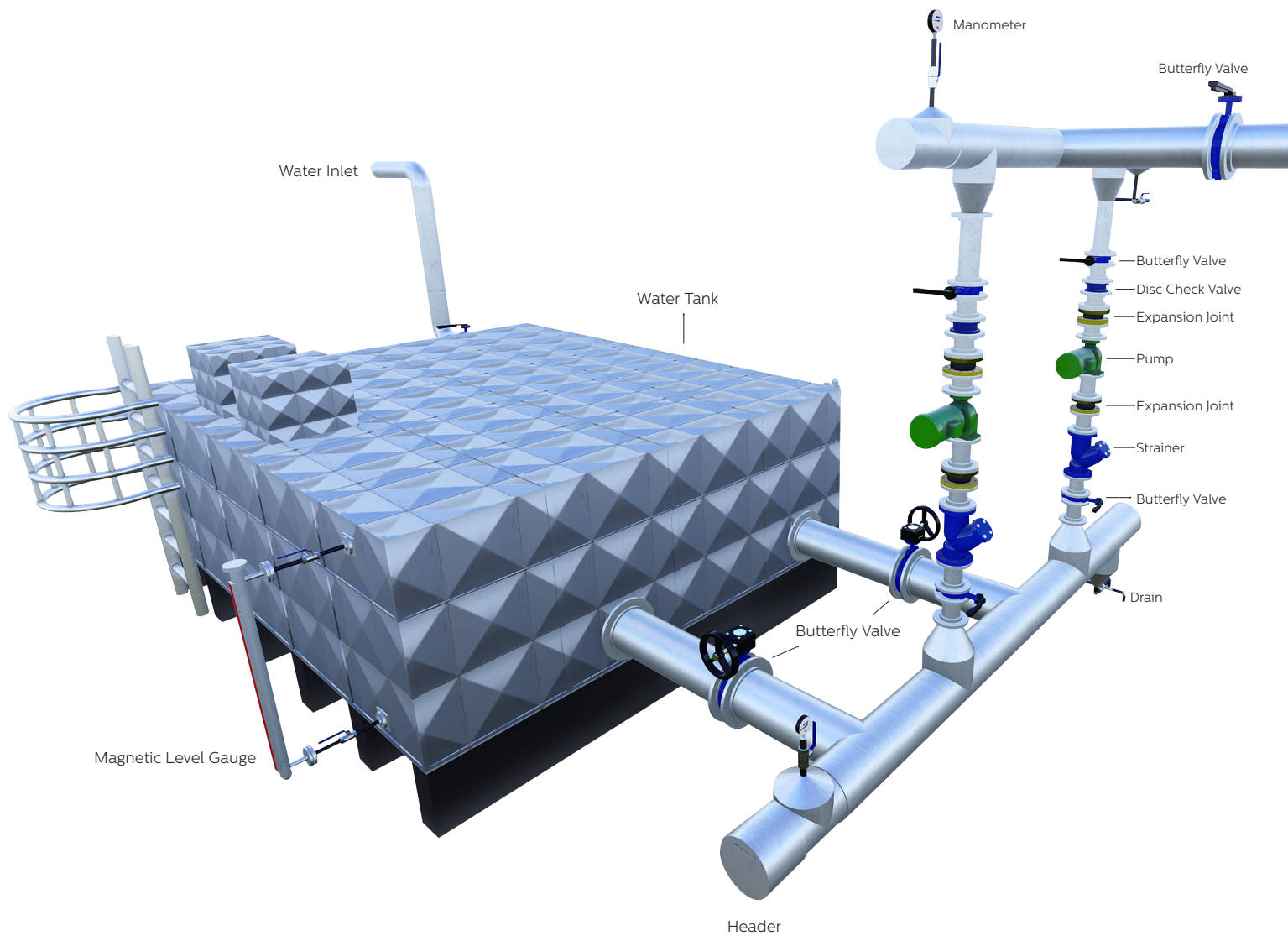
PART LIST		
1	Body	A216 WCB
2	Sealing	FRP
3	Seat	EPDM
4	Shaft	A276 410
5	Disc	A351 CF8M
6	O-Ring	NBR
7	Lever	CAST IRON



BV-10 CLASS 150				
SIZE	DN	D1	n-ød	L
1 1/2"	40	98.4	4-ø16	33
2"	50	120.7	4-ø19	42
2 1/2"	65	139.7	4-ø19	44.7
3"	80	152.4	4-ø19	45.2
4"	100	190.5	8-ø19	52.1
5"	125	215.9	8-ø22	54.4
6"	150	241.3	8-ø22	55.8
8"	200	298.5	8-ø22	80.6
10"	250	362.0	12-ø25	65.6
12"	300	431.8	12-ø25	76.9
14"	350	476.3	12-ø25	76.5
16"	400	539.8	12-ø25	86.5

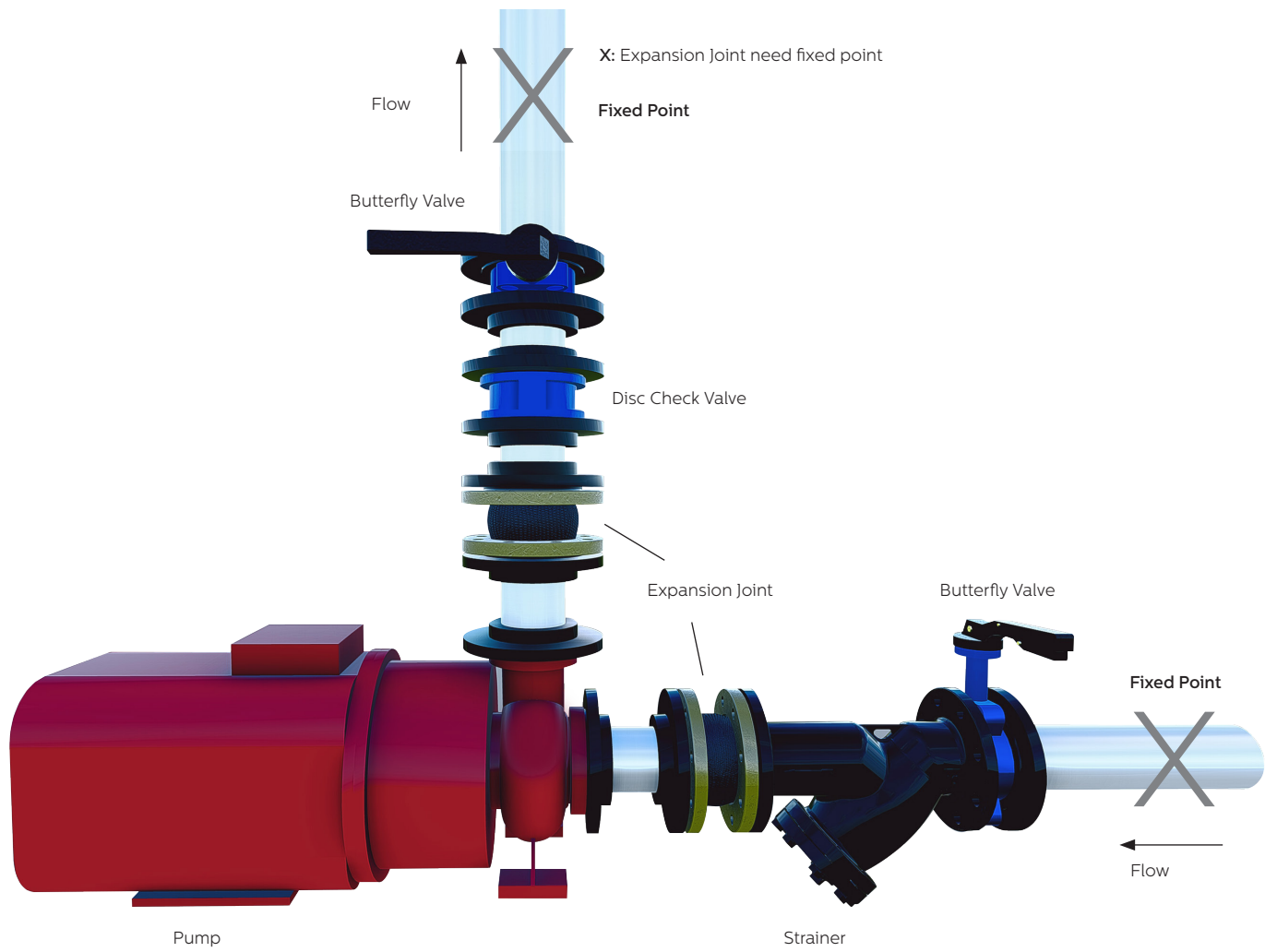
BV-10 BUTTERFLY VALVE

3D APPLICATION



BV-10 BUTTERFLY VALVE

3D APPLICATION





HEAD OFFICE - MAIN FACTORY
Atatürk Sanayi Bölgesi Hadımköy Mahallesi
Mustafa İnan Caddesi No: 44 Arnavutköy - İSTANBUL
Tel: +90 212 771 01 45 (pbx) | Fax: +90 212 771 47 27
info@ayvaz.com | www.ayvaz.com



Cona
Caserta / Italy
Tel : +39 0823 187 3988
rmolaro@ayvaz.com



Ayvaz Ukraine
Kiev / Ukraine
Tel : +380 44 390 57 57
info@ayvaz.com.ua



Tricorr
Warsaw / Poland
Tel : +48-32-783-295-1
tricorr@tricorr.eu



Ayvaz Germany
Viernheim / Germany
Tel : +49 62046014399
germany@ayvaz.com



Ayvaz Serbia
Belgrade / Serbia
Tel : +381 61 658 70 52
yakbijik@ayvaz.com



Ayvaz Azerbaijan
Baku / Azerbaijan
Tel : +99(455)579-84-32
ahayatov@ayvaz.com



Ayvaz Kazakhstan LLP
Almaty / Kazakhstan
Tel : +7 (727) 327 97 57
www.ayvaz.kz



Ayvaz N
Isperih / Bulgaria
Tel : +359 8431 27 32
office@ayvaz-n.eu



Ayvaz Vietnam
HCMC / Vietnam
Tel : +84 89 8508345
ggursoy@ayvaz.com



Ayvaz China
Ningbo / China
Tel : +86 152 5830 7361
msahin@ayvaz.com



Ayvaz Egypt
Cairo / Egypt
Tel : +20 122 819 78 29
andrew.eid@ayvaz.com



Ayvaz Gulf
Dubai / U.A.E.
Tel : +971 563550822
+971 501306871
mideast@ayvaz.com



Ayvaz Americas
Rhode Island
Tel : +1 401 737 8380
americas@ayvaz.com