

AEFS

AYVAZ MAGNETIC FLOW SWITCH

AEFS AYVAZ MAGNETIC FLOW SWITCH

AEFS AYVAZ MAGNETIC FLOW SWITCH

AEFS is used in order to check safely whether there is flow or not by detecting movement of liquids inside the pipe. It provides information about flow with high reliability without spending energy in cooling water or lubricating oil circuits, in the devices such as flash heater, central heating boiler and heater. It should be assembled vertically. As factory setting, contact is closed when there is flow; contact is open when flow stops. Exact opposite situation can be adjusted by user by changing position of relay in the housing.

Working Principle:

Palette, fastened from one point on the body, moves contact with fluid so that information about flow is obtained. When flow stops, it is provided that paddle comes to first position by pushing magnet with reverse pole in the paddle, attached on the body. By this means, longer life and resistance to higher pressure is provided in comparison with those of spring mechanisms. Reed relay with high precision and long life is used.

AEFS 05S / 05SX / 05P / 05PX

AEFS 06S / 06SX / 06P / 06PX

AEFS 08S/10S/15S/20S/25S/32S/40S/50S

AEFS 15PX / 15BX

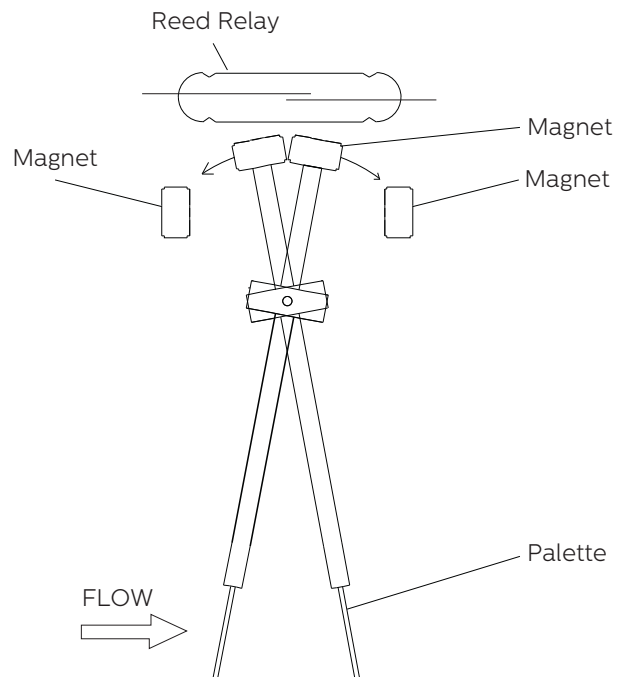
AEFS 15P/20P/25P/32P/40P/50P

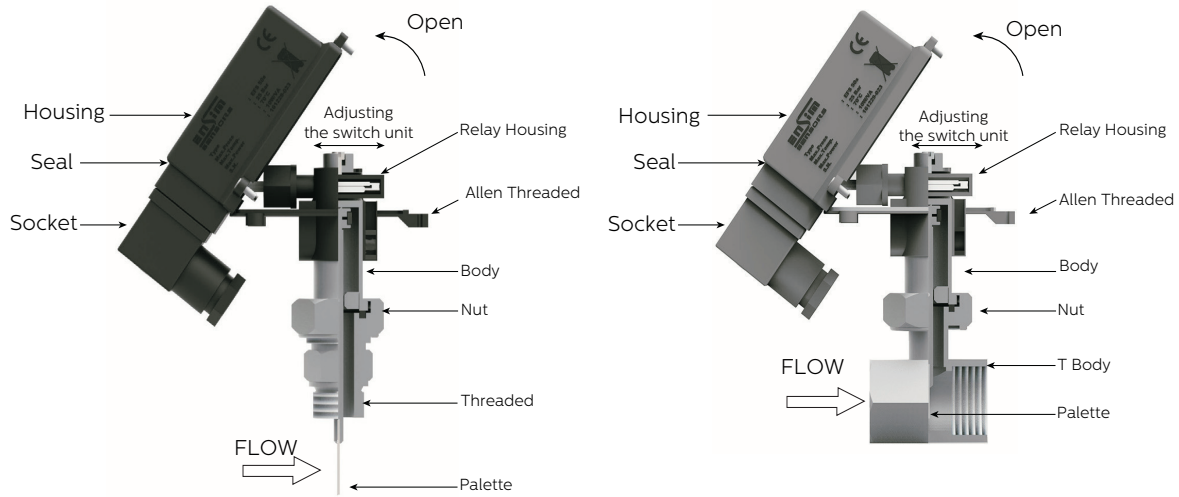
AEFS 20CX/25CX/32CX/40CX/50CX

AEFS 20SX/25SX/32SX/40SX/50SX

Advantages:

- * High precision.
- * Easy to adjust and assemble
- * Relay circuit is contactless with fluid.
- * Low pressure decrease.
- * Economical





MODEL		Stainless Type(AEFS ..s)	Plastic Type (AEFS ..p)
MATERIAL	Body+Threaded+Nut	304 Stainless St.(opt.316 S.S.)	PP
	T Body	304 Stainless St. (opt.316 S.S)	PP
	Bolt	304 Stainless St.	PP
	Palette	316 Stainless St.	PP
	Relay Case	PP	PP
	Magnet Case	PP	PP
	O-Ring	FPM	NBR
Fluid	Water (Oil,gas and agressive media on req.)	Water (Oil,gas and agressive media on req.)	
Tolerance	+/- %15 of full scale value	+/- %15 of full scale value	
Max. Working Pressure	25 bar	10 bar	
Working Temperature	(-)20 / (+)110°C	(-)20 / (+)70°C	
Ambied Temperature	(-)20 / (+)70°C	(-)20 / (+)70°C	
Contact	Reed Switch SPST-NA	Reed Switch SPST-NA	
* Contact Current	1 A	1 A	
* Max. Contact Power	10 W / VA	10 W / VA	
* Max. Switching Voltage	200 VDC / 140 VAC	200 VDC / 140 VAC	
Electrical Connections	ISO 4400 Socket Opt. Cable Output, Socket with LED	ISO 4400 Socket Opt. Cable Output, Socket with LED	
Protection Class	IP65, IP 68 (for sx, cx type)	IP65, IP 68 (for sx, cx type)	

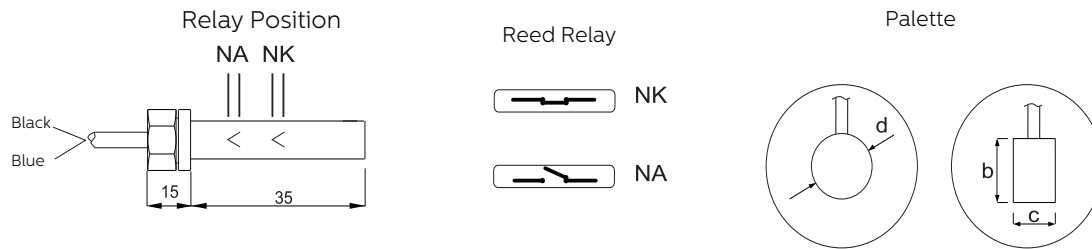
***WARNINGS !**

Please pay attention to following matters in order to operate your flow switch properly.

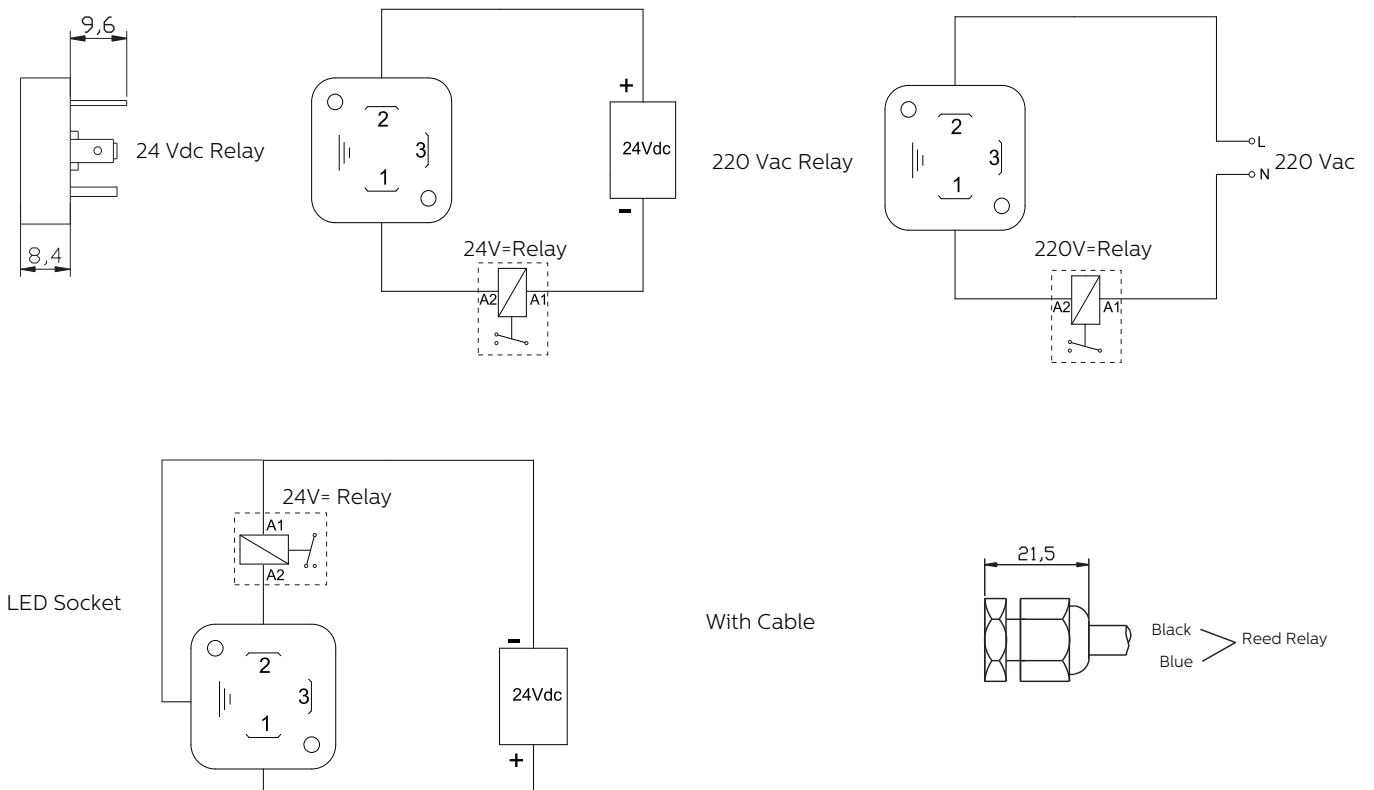
- It must be ensured that the values given for voltage, current, and power are not exceeded.
- When switched on, a load must be connected in series.
- The electrical details apply to ohmic loads.
- (Capacitive or inductive loads must be operated using a protective circuit.

AEFS AYVAZ MAGNETIC FLOW SWITCH

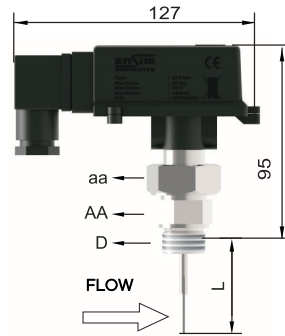
Relay Position Adjustment



Electrical Connection:

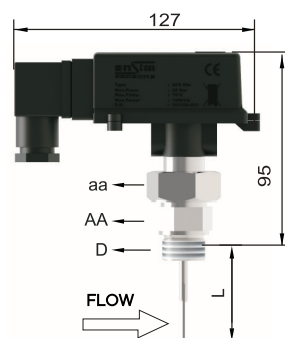


AEFS 05S , AEFS 06S



MODEL	Pipe Size	Connection Size D	Max. Flow m ³ /h, Water	Rising Flow Rate m ³ /h, Water	Falling Flow Rate m ³ /h, Water	aa / AA (mm)	L (mm)	Palette bxc (mm)
AEFS 05S	DN 50	R1/2"	28	1,5 / 2,5	1,4 / 2,2	32/ 27	50	12x20
	DN 80	R1/2"	75	4 / 7,5	3,8 / 7	32/ 27	50	12x20
	DN 100	R1/2"	140	6 / 10,5	5,5 / 10	32/ 27	50	12x20
AEFS 06S	DN 100	R1/2"	100	5,5 / 6,1	5,3 / 6	32/ 27	110	12x80
	DN 150	R1/2"	140	9,5 / 12,5	9 / 12	32/ 27	110	12x80
	DN 200	R1/2"	200	22,5 / 26	22 / 25	32/ 27	110	12x80

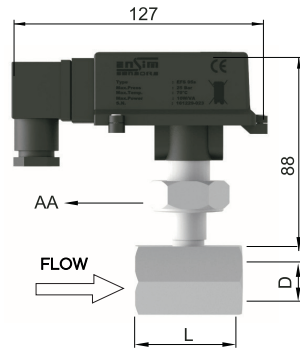
AEFS 05P , AEFS 06P



MODEL	Pipe Size	Connection Size D	Max. Flow m ³ /h, Water	Rising Flow Rate m ³ /h, Water	Falling Flow Rate m ³ /h, Water	aa / AA (mm)	L (mm)	Palette bxc (mm)
AEFS 05P	DN 50	R1/2"	20	1/ 2	0,9 / 1,9	27	52	12x20
	DN 80	R1/2"	30	3/ 6	2,9 / 5,5	27	52	12x20
	DN 100	R1/2"	40	4,8 / 8	4,6 / 7,5	27	52	12x20
AEFS 06P	DN 100	R1/2"	70	4,5 / 5,5	4 / 5	27	112	12x80
	DN 150	R1/2"	110	8 / 11	7,8 / 10	27	112	12x80
	DN 200	R1/2"	120	18 / 24,2	17,5 / 24	27	112	12x80

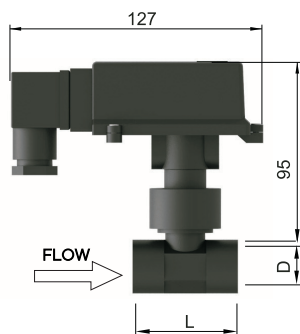
AEFS AYVAZ MAGNETIC FLOW SWITCH

AEFS 08S, AEFS 10S
 AEFS 15S, AEFS 20S
 AEFS 25S, AEFS 32S
 AEFS 40S, AEFS 50S



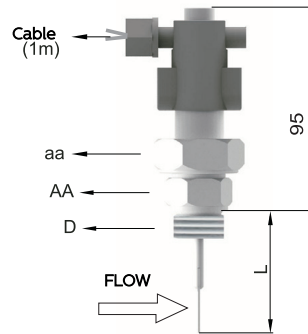
MODEL	Pipe Size	Connection Size D	Max. Flow l/min., Water	Rising Flow Rate l/min., Water	Falling Flow Rate l/min., Water	AA (mm)	L (mm)	Palette d Ø bxc (mm)
AEFS 08S	DN 08	R 1/4"	40	2/3	1,8 / 2,8	32	50	Ø10
AEFS 10S	DN 10	R 3/8"	50	2,7	2,4	32	50	Ø10
AEFS 15S	DN 15	R 1/2"	60	3,1	2,5	32	50	Ø10
AEFS 20S	DN 20	R 3/4"	80	5,7	4,7	32	50	Ø10
AEFS 25S	DN 25	R 1"	150	12/15	11,6 / 14,8	32	50	12x20
AEFS 32S	DN 32	R 1 1/4"	200	16 / 19,5	15,7 / 19,1	32	50	12x20
AEFS 40S	DN 40	R 1 1/2"	300	24,2 / 38	24 / 37,5	32	50	12x20
AEFS 50S	DN 50	R 2"	300	35 / 48	34 / 47	32	65	12x20

AEFS 15P, AEFS 20P
 AEFS 25P, AEFS 32P
 AEFS 40P, AEFS 50P



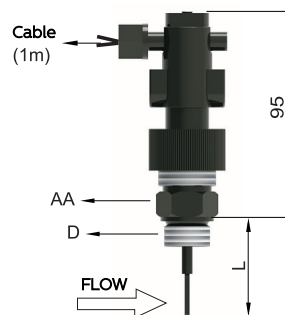
MODEL	Pipe Size	Connection Size D	Max. Flow l/min., Water	Rising Flow Rate l/min., Water	Falling Flow Rate l/dk, Water	L (mm)	Palette d Ø bxc (mm)
AEFS 15P	DN 15	R 1/2"	30	5,5	5,3	50	Ø9
AEFS 20P	DN 20	R 3/4"	80	11,7	10,5	50	Ø13
AEFS 25P	DN 25	R 1"	100	14	13	50	12x20
AEFS 32P	DN 32	R 1 1/4"	140	21	20,5	50	12x20
AEFS 40P	DN 40	R 1 1/2"	180	26,5	35,8	50	12x20
AEFS 50P	DN 50	R 2"	250	38,4	42,3	65	12x20

AEFS 05SX , AEFS 06SX



MODEL	Pipe Size	Connection Size D	Max. Flow m ³ /h, Water	Rising Flow Rate m ³ /h, Water	Falling Flow Rate m ³ /h, Water	aa / AA (mm)	L (mm)	Palette bxc (mm)
AEFS 05SX	DN 50	R1/2"	28	1,5 / 2,5	1,4 / 2,2	32/ 27	50	12x20
	DN 80	R1/2"	75	4 / 7,5	3,8 / 7	32/ 27	50	12x20
	DN 100	R1/2"	140	6 / 10,5	5,5 / 10	32/ 27	50	12x20
AEFS 06S	DN 100	R1/2"	100	5,5 / 6,1	5,3 / 6	32/ 27	110	12x80
	DN 150	R1/2"	140	9,5 / 12,5	9 / 12	32/ 27	110	12x80
	DN 200	R1/2"	200	22,5 / 26	22 / 25	32/ 27	110	12x80

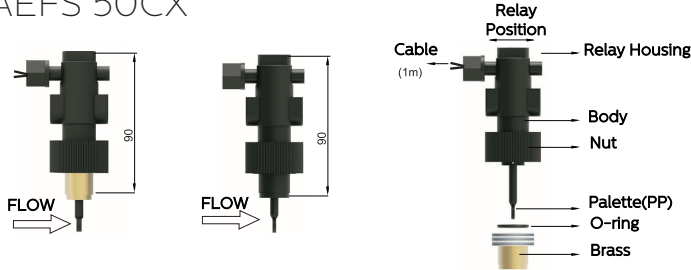
AEFS 05PX , AEFS 06PX



MODEL	Pipe Size	Connection Size D	Max. Flow m ³ /h, Water	Rising Flow Rate m ³ /h, SU	Falling Flow Rate m ³ /h, Water	aa / AA (mm)	L (mm)	Palette bxc (mm)
AEFS 05PX	DN 50	R1/2"	20	1/ 2	0,9 / 1,9	27	52	12x20
	DN 80	R1/2"	30	3/ 6	2,9 / 5,5	27	52	12x20
	DN 100	R1/2"	40	4,8 / 8	4,6 / 7,5	27	52	12x20
AEFS 06PX	DN 100	R1/2"	70	4,5 / 5,5	4 / 5	27	112	12x80
	DN 150	R1/2"	110	8 / 11	7,8 / 10	27	112	12x80
	DN 200	R1/2"	120	18 / 24,2	17,5 / 24	27	112	12x80

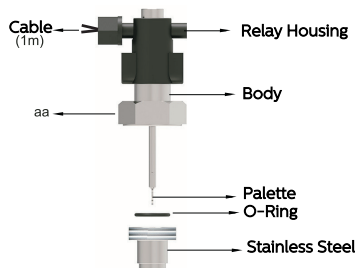
AEFS AYVAZ MAGNETIC FLOW SWITCH

AEFS 20CX, AEFS 25CX
AEFS 32CX, AEFS 40CX
AEFS 50CX



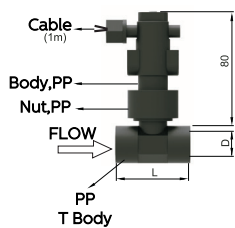
MODEL	Pipe Size	Max. Flow l/min., Water	Rising Flow l/min., Water	Falling Flow Rate l/min., Water	Palette d Ø bxc (mm)
AEFS 20CX	DN 20	80	5,5	5,3	Ø9
AEFS 25CX	DN 25	125	11,7	10,5	Ø13
AEFS 32CX	DN 32	150	14	13	12x20
AEFS 40CX	DN 40	225	21	20,5	12x20
AEFS 50CX	DN 50	300	26,5	35,8	12x20

AEFS 20SX, AEFS 25SX
AEFS 32SX, AEFS 40SX
AEFS 50SX



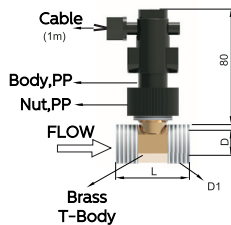
MODEL	Pipe Size	Max. Flow l/min., Water	Rising Flow Rate l/min., Water	Falling Flow Rate l/min., Water	aa (mm)	Palette d Ø bxc (mm)
AEFS 20SX	DN 20	80	5,5	5,3	27	Ø9
AEFS 25SX	DN 25	125	11,7	10,5	32	Ø13
AEFS 32SX	DN 32	150	14	13	41	12x20
AEFS 40SX	DN 40	225	21	20,5	50	12x20
AEFS 50SX	DN 50	300	26,5	35,8	60	12x20

AEFS 15PX



MODEL	Pipe Size	Connection Size D	Max. Flow l/min., Water	Rising Flow Rate l/min., Water	Falling Flow Rate l/min., Water	L (mm)	Palette d Ø bxc (mm)
AEFS 15PX	DN 15	R 1/2" / *	40	2...4,5	1,5...4	50	Ø9
AEFS 15BX	DN 15	R 1/2" / R 3/4"	40	2...5,3	1.5...5,1	53	Ø9

AEFS 15BX



HEAD OFFICE - FACTORY

Atatürk Sanayi Bölgesi Hadımköy Mahallesi Mustafa İnan Caddesi No: 44 Arnavutköy - İSTANBUL
Tel: +90 212 771 01 45 (pbx) | Fax: +90 212 771 47 27
info@ayvaz.com | www.ayvaz.com

Cona
Caserta/Italy
Tel: +39 0823 187 3988
rmolaro@ayvaz.com

Ayvaz Germany
Viernheim/Germany
Tel: +49 62046014399
germany@ayvaz.com

Ayvaz Ukraine
Kiev/Ukraine
Tel: +380 44 390 57 57
info@ayvaz.com.ua

Tricorr
Warsaw/Poland
Tel: +48 530 030 810
+48 533 603 335
tricorr@tricorr.eu

Ayvaz Azerbaijan
Baku/Azerbaijan
Tel: +99 (455) 579-84-32
ahayatov@ayvaz.com

Ayvaz Egypt
Cairo/Egypt
Tel: +20 122 819 78 29
andrew.eid@ayvaz.com

Ayvaz Gulf
Dubai/U.A.E
Tel: +971 563550822
+971 501306871
mideast@ayvaz.com

Ayvaz China
Ningbo/China
Tel: +86 152 5830 7361
msahin@ayvaz.com

Ayvaz Kazakhstan LLP
Almaty/Kazakhstan
Tel: +7 (727) 327 97 57
info_kz@ayvaz.com

Ayvaz N
Ispirih/Bulgaria
Tel: +359 8431 27 32
office@ayvaz-n.eu

Ayvaz Serbia
Belgrade/Serbia
Tel: +381 61 658 70 52
yakbiyik@ayvaz.com

Ayvaz Vietnam
HCMC/Vietnam
Tel: +84 89 8508345
ggursoy@ayvaz.com

Ayvaz Americas
Rhode Island/USA
Tel: +1 401 737 8380
americas@ayvaz.com