

SWING TYPE WAFER CHECK VALVES (CV-30/CV-35)



CV-30

Stainless Steel Design
with Spring, EPDM O-Ring

CV-35

Chromium Carbon Steel Design
without Spring, EPDM O-Ring



The main difference between standard swing check valves and wafer type swing check valves is that the wafer types do not have the full-bodied arrangement. When the valve opens, the disc is forced into the top of the pipeline. Due to a very short face-to-face dimension the body has a reduced bore. Swing type wafer check valves are virtually maintenance free, the disc is self-centering and protected and it has a special limit stop to protect against pipeline damage.

Application Areas:

Ayvaz CV-30/35 swing type wafer check valves are suitable for use in pipeline systems, mainly cooling water systems;

- Distribution networks/water supply
- Paper mills and plant processes
- Shipbuilding
- Industrial application

Advantages:

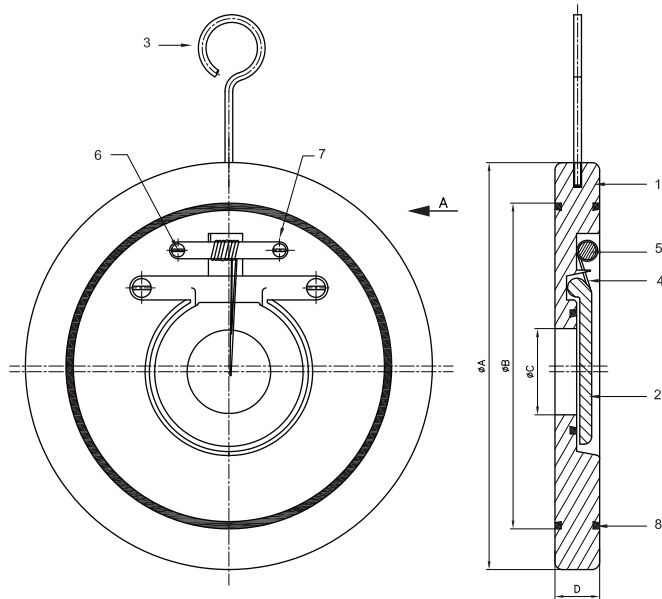
- Cost saving simple design
- Easy installation
- Light in weight

Operating Conditions:

Operating Pressure	: 16 bar
Operating Temperature	: -15 °C / 100 °C
Applicable Fluids	: Water, Warm Water & Sea Water
Available Sizes	: DN32-DN300
Flanges Standard	: PN10 / PN16

SWING TYPE WAFER CHECK VALVES (CV-30/CV-35)

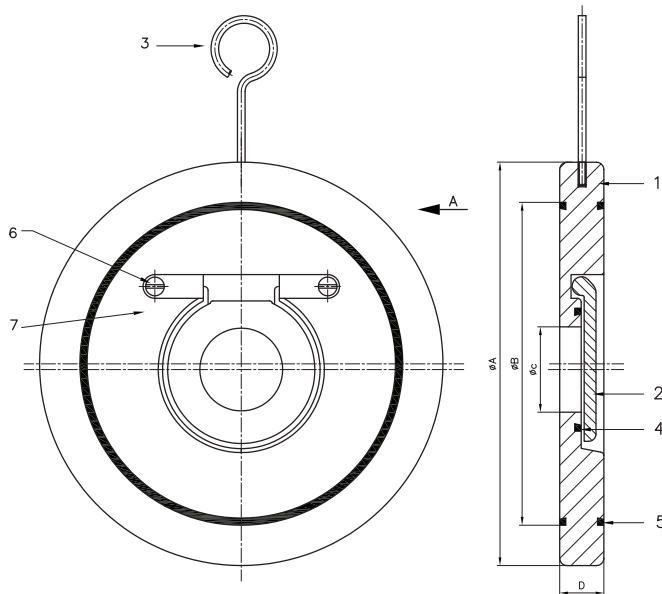
Design And Dimensions:



CV-30

Stainless Steel Design
with Spring, EPDM O-Ring

No	Part Name	Material
1	Body	AISI 316
2	Disc	AISI 316
3	Eye Bolt	AISI 316
4	Spring	AISI 316
5	Pin	AISI 316
6	Retainer Screw	AISI 316
7	Disc Bearing	AISI 316
8	O-Ring	EPDM



CV-35

Chromium Carbon Steel Design
without Spring, EPDM O-Ring

No	Part Name	Material
1	Body	Chromium Plated Carbon Steel
2	Disc	Chromium Plated Carbon Steel
3	Eye Bolt	Chromium Plated Carbon Steel
4	O-Ring	EPDM
5	O-Ring	EPDM
6	Retainer Screw	Chromium Plated Carbon Steel
7	Disc Bearing	Chromium Plated Carbon Steel

DN		ØA	ØB	ØC	D
mm	ins	mm	mm	mm	mm
32	1¼	85	72	18	14
40	1½	94	80	22	14
50	2	109	91	32	14
65	2½	129	111	40	14
80	3	144	119	54	14
100	4	164	147	70	18
125	5	194	171	92	18
150	6	220	200	112	20
200	8	275	256	154	22
250	10	330	302	192	26
300	12	380	352	227	32